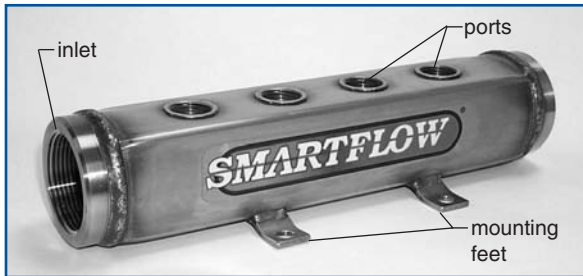




# STAINLESS STEEL MANIFOLDS *with Low-Profile Ports*



**SMARTFLOW**® stainless steel manifolds are suitable for a wide range of liquid handling applications with some of the largest inlet sizes available. 304 Stainless Steel material is ideal where chemical compatibility and corrosion resistance are imperative.

These economical manifolds feature:

- 1" or 1-1/2"NPT(F) inlet/outlet
- 3/8" or 1/2"NPT(F) ports
- 4, 6, 8, 10, 12, 14, or 16 ports per manifold section
- Single or parallel mounting
- Integral mounting brackets
- Leak-free operation
- Optional ball valves and flowmeters
- Fast delivery

You will achieve optimal fluid flow in your applications with these durable, leak-tested manifolds. The **SMARTFLOW** name is your guarantee of quality, ease of installation, and worry-free dependability.

## Specifications

Material .....304 Stainless Steel  
 Inlet/Outlet Sizes.....1" or 1-1/2"NPT(F)  
 Port Sizes.....3/8" or 1/2"NPT(F)  
 Max Temperature.....250°F (121°C)  
 Optional Ball Valves.....Large Port Brass

### Max Working Pressure Ratings:

Gas (air, inert gas) .....125 psig  
 Liquid (water, benign fluids) .....250 psig

## Model Number

	8	SL	-	8	-	3	-	A	
<b>Inlet Sizes</b>									
1"NPT(F)	8								
1-1/2"NPT(F)	12								
<b>Manifold Styles</b>									
Single		SL							
Parallel		PSL							
						4			<b>Total Number of Ports</b>
						6			
						8			
						10			
						12			
						14			
						16			
						20		parallel only	
						24		parallel only	
						28		parallel only	
						32		parallel only	

### Accessories

(add accessory designators to the end of the model number as needed)

Manifold only	A
Ball valves only	B
*Ball valves and plain flowmeters	C
*Ball valves and flowmeters with thermometers	D
*Ball valves and flowmeters with thermometers and pressure gauges	E
Ball valves and flowmeters with thermometers and liquid-filled pressure gauges	EL
*Plain flowmeters only	F
Quick connect plugs, same size as manifold port	H
Hose barbs, same size as manifold port	J

\* Contact customer service for flowmeter details

**Ask us about custom configurations!**

*Design and specifications are subject to change without notice.*



151 Memorial Drive, Unit H  
 Shrewsbury, MA 01545  
 Tel: 888-792-2223, 508-842-1606  
 Fax: 508-842-4406 Email: sales@plastixx.com  
 Website: www.plastixx.com

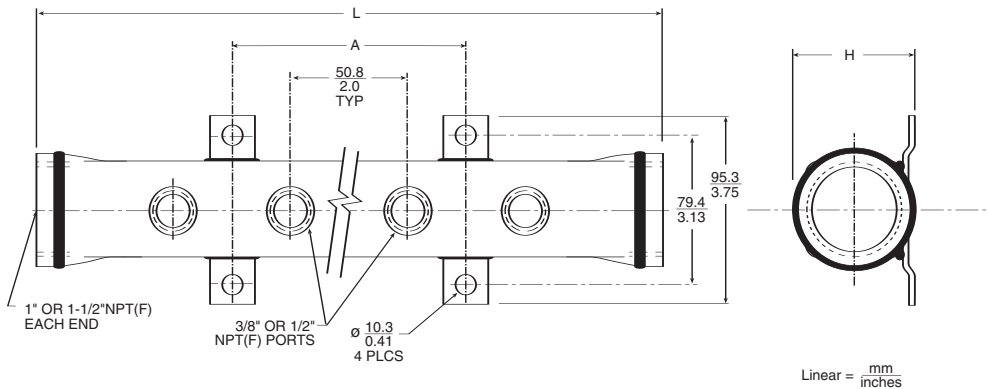


# STAINLESS STEEL MANIFOLDS with Low-Profile Ports

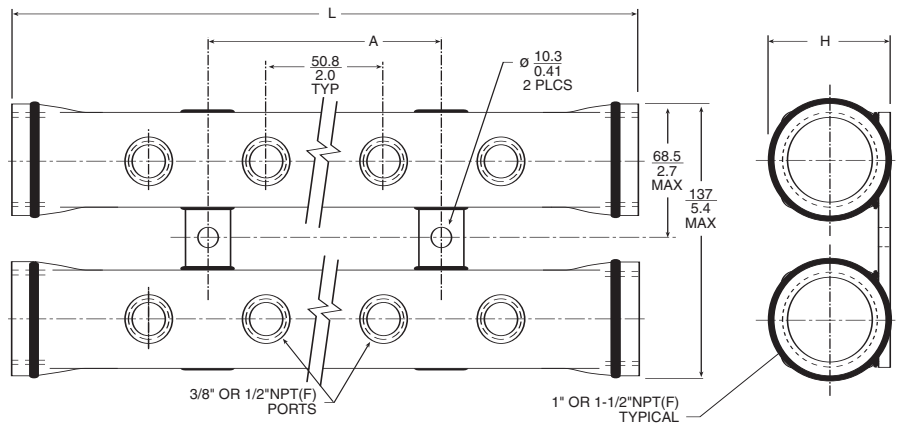
## Model Numbers and Dimensions

	Single Manifolds	Parallel Manifolds	Dimension A	Dimension L	Dimension H
1" Inlet	8SL - 4 - □ - A	8PSL - 8 - □ - A	102mm / 4"	283mm / 11.13"	51mm 2" max.
	8SL - 6 - □ - A	8PSL - 12 - □ - A	203mm / 8"	384mm / 15.13"	
	8SL - 8 - □ - A	8PSL - 16 - □ - A	305mm / 12"	486mm / 19.13"	
	8SL - 10 - □ - A	8PSL - 20 - □ - A	406mm / 16"	587mm / 23.13"	
	8SL - 12 - □ - A	8PSL - 24 - □ - A	508mm / 20"	689mm / 27.13"	
	8SL - 14 - □ - A	8PSL - 28 - □ - A	610mm / 24"	791mm / 31.13"	
1-1/2" Inlet	12SL - 4 - □ - A	12PSL - 8 - □ - A	102mm / 4"	283mm / 11.13"	64mm 2.5" max.
	12SL - 6 - □ - A	12PSL - 12 - □ - A	203mm / 8"	384mm / 15.13"	
	12SL - 8 - □ - A	12PSL - 16 - □ - A	305mm / 12"	486mm / 19.13"	
	12SL - 10 - □ - A	12PSL - 20 - □ - A	406mm / 16"	587mm / 23.13"	
	12SL - 12 - □ - A	12PSL - 24 - □ - A	508mm / 20"	689mm / 27.13"	
	12SL - 14 - □ - A	12PSL - 28 - □ - A	610mm / 24"	791mm / 31.13"	
12SL - 16 - □ - A	12PSL - 32 - □ - A	711mm / 28"	892mm / 35.13"		

□ = port thread size [3 = 3/8"NPT(F) or 4 = 1/2"NPT(F)]



**Single Manifold**



**Parallel Manifold**



151 Memorial Drive, Unit H  
Shrewsbury, MA 01545  
Tel: 888-792-2223, 508-842-1606  
Fax: 508-842-4406 Email: sales@plastixs.com  
Website: www.plastixs.com