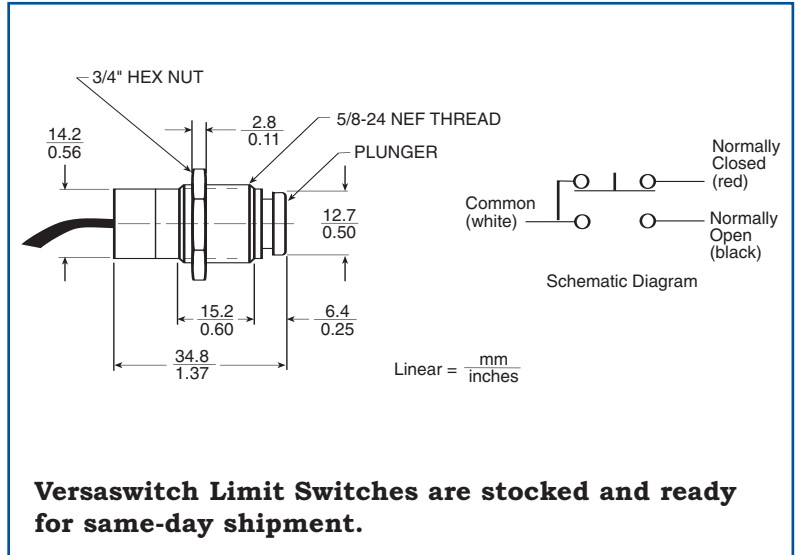




VERSASWITCH™ LIMIT SWITCH



actual size



Versaswitch Limit Switches are stocked and ready for same-day shipment.

General Description

Smartflow® Versaswitch™ Limit Switch installs into an injection mold to prevent premature movement of your machine components. By using the Versaswitch to indicate location of the core the switch prevents equipment damage. The Versaswitch limit switch also protects your profits by limiting downtime and loss of productivity.

The Versaswitch® Limit Switch is easily installed into a 5/8"-24 female thread. The switch actuates when 3.5 lbs of force is applied to the plunger. Actuation height is adjusted by threading the switch to the correct position in the installation. The switch is held in place via a lockwasher and hex nut. SPDT snap action switch provides a simple, positive indication of the mold or core location.

Features and Benefits

- **Over 1 million cycle life** provides long dependable service.
- **180°F (82°C) standard temperature rating** allows installation into most molding applications.
- **Adjustable operating point** provides custom installation.
- **In stock** to provide same-day delivery.
- **Stripped and tinned 6ft. wire leads** make the switch ready to install without modification.
- **Included mounting hardware** installs the Versaswitch limit switch easily.

Specifications

Electrical.....	240VAC
	5 Amps Resistive
	3 Amps Inductive
Operating Temperature	180°F max.
	(82°C max.)
Switching.....	SPDT
Operating Force	3.5 lbs (1.605 kg)
Pre-travel to operating point	0.06" (1.5mm)
Overtravel	0.01" (.25mm)
Enclosure	Watertight per IP68S

Materials

Body	Anodized Aluminum/ Epoxy
Plunger	Stainless Steel
Lockwasher and Nut.....	Stainless Steel
Wire Leads	22ga stranded,
	3-conductor, shielded cable,
	6 ft. (1.8m) long,
	ends stripped and tinned

Parts Included

Qty	Description
1	Versaswitch limit switch
1	Lockwasher
1	Nut

The Versaswitch™ Limit Switch is designed for use in very low power mold protection control circuits. It is not intended to switch heavy loads in power applications.



151 Memorial Drive, Unit H
 Shrewsbury, MA 01545
 Tel: 888-792-2223, 508-842-1606
 Fax: 508-842-4406 Email: sales@plastixx.com
 Website: www.plastixx.com



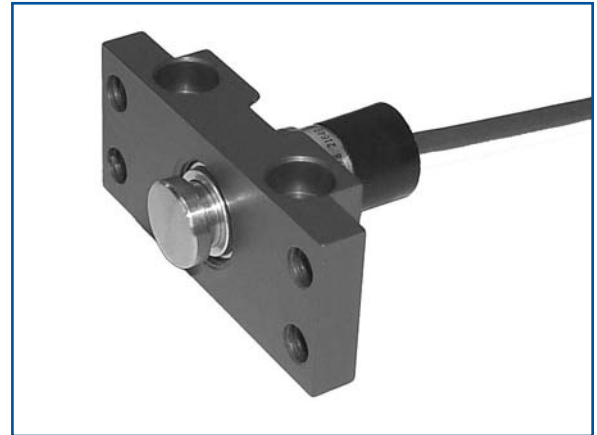
VERSASWITCH™ LIMIT SWITCH

Model Number

V-222 Versaswitch Limit Switch
(176°F / 80°C max.)

Accessories

- P222** Twist lock electrical plug
- BCR-222** Electrical box, cover plate, and receptacle
- TAP-222** 5/8-24 NEF tap



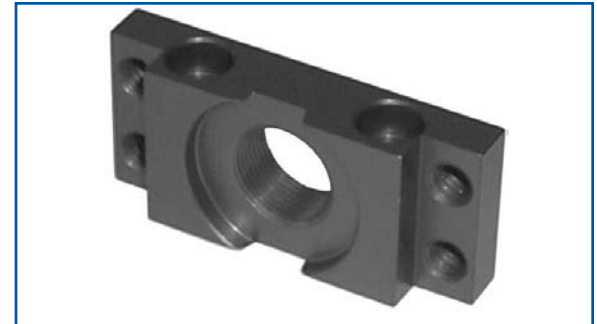
VERSASWITCH™ MOUNTING BRACKET

General Description

The Versaswitch™ mounting bracket attaches to a mold with conveniently-located, threaded holes. The red anodized finish provides effective corrosion-protection. The bracket is an essential accessory to the utilitarian Versaswitch limit switch.

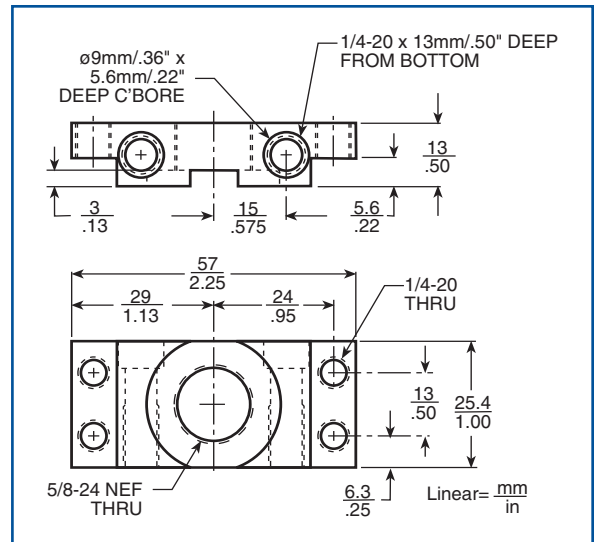
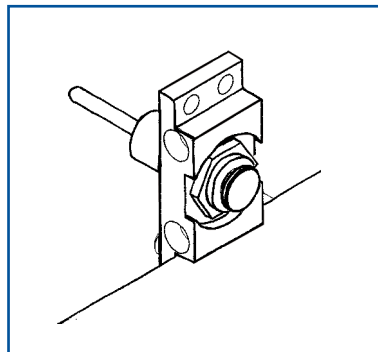
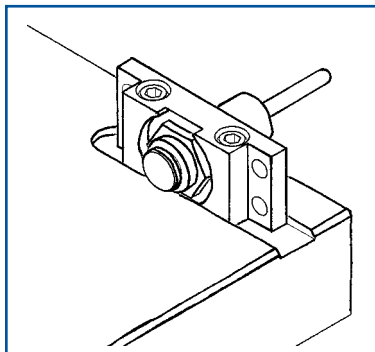
Specifications

Material.....Aluminum (T606)
FinishRed Anodize



Model Number

VB-222



151 Memorial Drive, Unit H
Shrewsbury, MA 01545
Tel: 888-792-2223, 508-842-1606
Fax: 508-842-4406 Email: sales@plastixx.com
Website: www.plastixx.com