

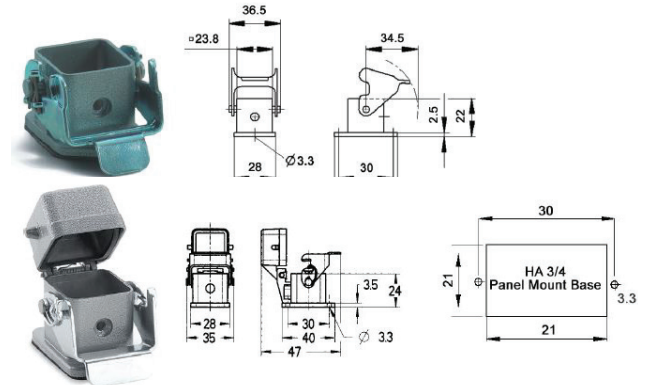
EPIC® INDUSTRIAL CONNECTORS

For Hot Runner Controls, Molds, Robots, Machines, Accessories, Data, Etc.

EPIC® HA 3/4 Series Housings, Hoods & Inserts

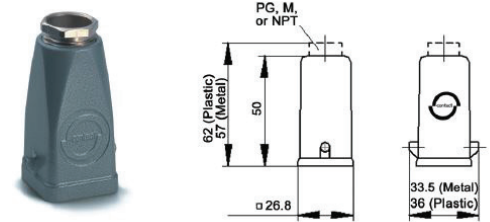
Housings - Panel Mount

Part #	Description
PLX-10.4220	Plastic Housing
PLX-10.4225	Metal Housing



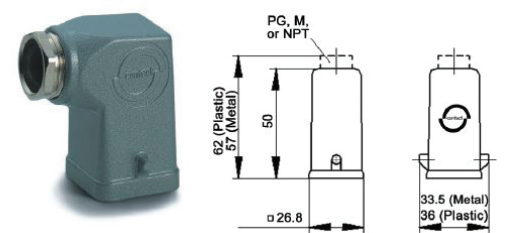
Hoods (order Strain Relief Gland separately)

Part #	Description
PLX-10.4260	Plastic Hood, Top Entry
PLX-10.4270	Plastic Hood, Side Entry
PLX-10.5121	Metal Hood, Top Entry
PLX-10.5123	Metal Hood, Side Entry



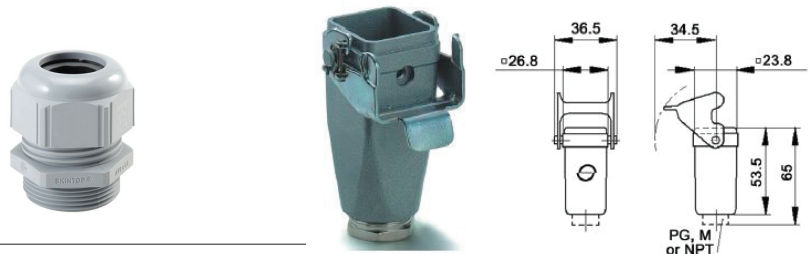
Hoods - Cable to Cable (order Strain Relief Gland separately)

Part #	Description
PLX-10.4290	Plastic Hood, Top Entry
PLX-10.5129	Metal Hood, Top Entry



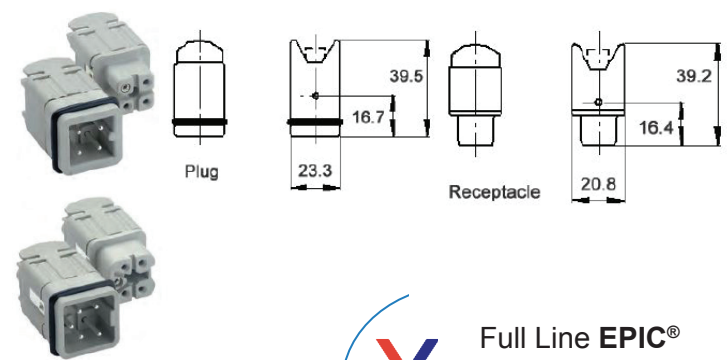
SKINTOP® Straight Strain Relief Glands

Part #	Thread (M)	Wire O.D.
PLX-S1111	PG-11	0.157"-0.394"
PLX-S1211	PG-11	0.079"-0.276"



EPIC® A Inserts (4 contacts + ⊕)

Part #	Description
PLX-10.4310	Plug Insert, Screw Terminated
PLX-10.4320	Receptacle Insert, Screw Terminated



EPIC® INDUSTRIAL CONNECTORS

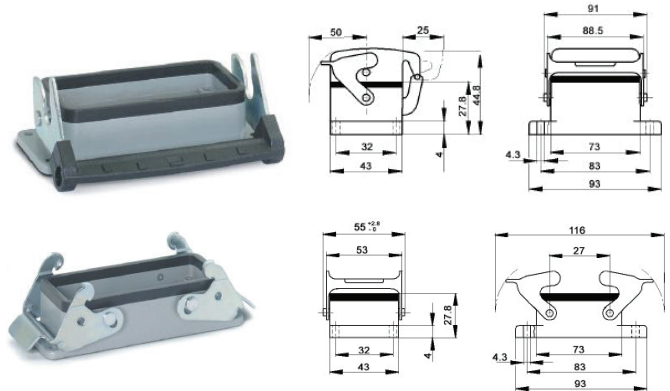
For Hot Runner Controls, Molds, Robots, Machines, Accessories, Data, Etc.

www.plastixs.com

EPIC® HB 10 Series Housings, Hoods & Inserts

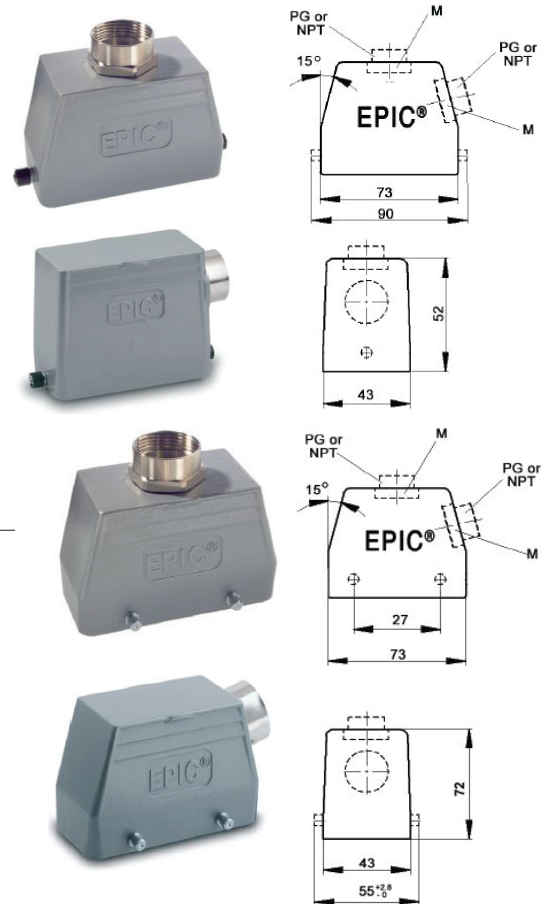
Housings - Panel Mount

Part #	Description
PLX-10.0329	Metal Housing, Single Lever
PLX-10.0320	Metal Housing, Double Lever



Hoods (order Strain Relief Gland separately)

Part #	Description
PLX-10.0409	Top Entry, Single Lever
PLX-10.0400	Top Entry, Double Lever
PLX-10.0429	Side Entry, Single Lever
PLX-10.0420	Side Entry, Double Lever



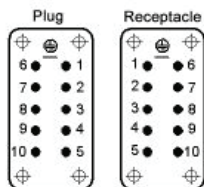
SKINTOP® Straight Strain Relief Glands

Part #	Thread (M)	Wire O.D.
PLX-S1116	PG-16	0.354"-0.551"
PLX-S1216	PG-16	0.236"-0.472"



EPIC® E Inserts (10 contacts + ⊕)

Part #	Description
PLX-10.1920	Plug Insert, Screw Terminated
PLX-10.1930	Receptacle Insert, Screw Terminated




Full Line EPIC®
 Industrial Connectors
 Distributor
 call us for part #'s not listed

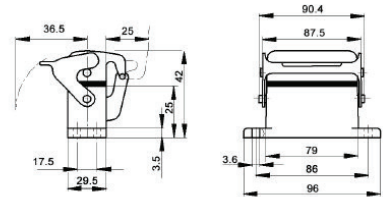
EPIC® INDUSTRIAL CONNECTORS

For Hot Runner Controls, Molds, Robots, Machines, Accessories, Data, Etc.

EPIC® HA 16 Series Housings, Hoods & Inserts

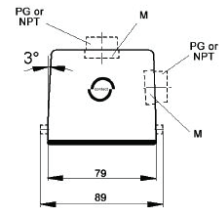
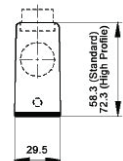
Housings - Panel Mount

Part #	Description
PLX-10.4620	Metal Housing, Single Lever



Hoods (order Strain Relief Gland separately)

Part #	Description	Thread (M)
PLX-10.5650	Top Entry, Single Lever	PG-16
PLX-10.5652	Top Entry, Single Lever	PG-21
PLX-10.0429	Side Entry, Single Lever	PG-16
PLX-10.5645	Side Entry, Single Lever	PG-21



SKINTOP® Straight Strain Relief Glands

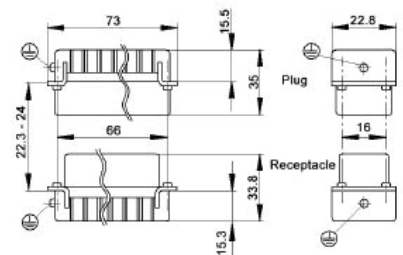
Part #	Thread (M)	Wire O.D.
PLX-S1116	PG-16	0.354"-0.551"
PLX-S1121	PG-21	0.521"-0.709"



Full Line EPIC®
Industrial Connectors
Distributor
call us for part #'s not listed

EPIC® A Inserts (16 contacts + ⊕)

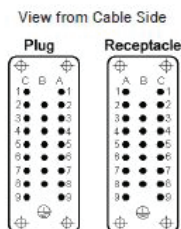
Part #	Description
PLX-10.5300	Plug Insert, Screw Terminated
PLX-10.5310	Receptacle Insert, Screw Terminated



All dimensions are in mm.

EPIC® D Inserts (25 contacts + ⊕)

Part #	Description
PLX-11.2833	Plug Insert, Screw Terminated
PLX-11.2823	Receptacle Insert, Screw Terminated



EPIC® INDUSTRIAL CONNECTORS

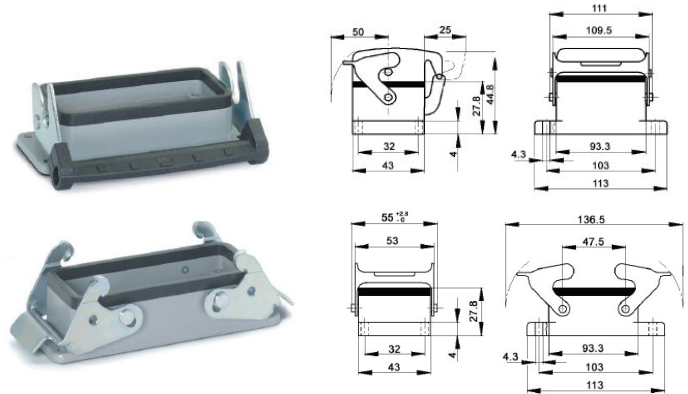
For Hot Runner Controls, Molds, Robots, Machines, Accessories, Data, Etc.

www.plastixs.com

EPIC® HB 16 Series Housings, Hoods & Inserts

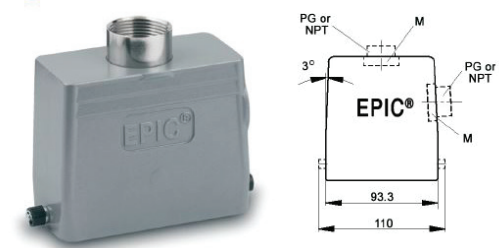
Housings - Panel Mount

Part #	Description
PLX-10.0729	Metal Housing, Single Lever
PLX-10.0720	Metal Housing, Double Lever



Hoods (order Strain Relief Gland separately)

Part #	Description	Thread (M)
PLX-10.0809	Top Entry, Single Lever	PG-21
PLX-10.0800	Top Entry, Double Lever	PG-21
PLX-10.0829	Side Entry, Single Lever	PG-21
PLX-10.0820	Side Entry, Double Lever	PG-21
PLX-10.0909	Top Entry, Single Lever	PG-29
PLX-10.0900	Top Entry, Double Lever	PG-29



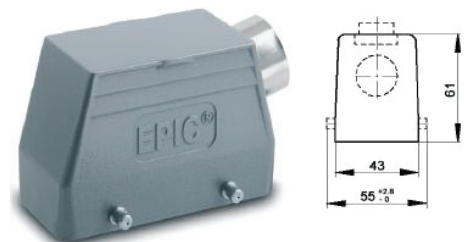
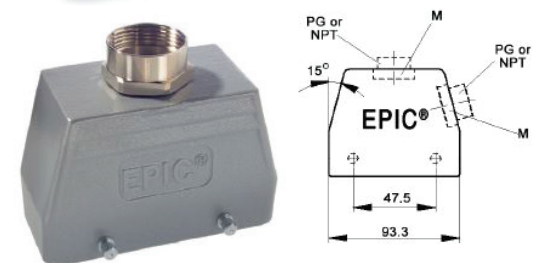
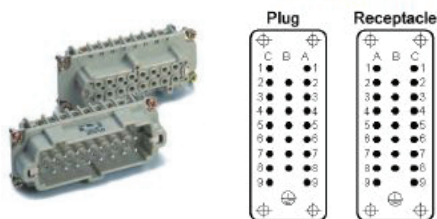
SKINTOP® Straight Strain Relief Glands

Part #	Thread (M)	Wire O.D.
PLX-S1121	PG-21	0.521"-0.709"
PLX-S1221	PG-21	0.354"-0.630"



EPIC® E Inserts (16 contacts + ⊕)

Part #	Description
PLX-10.1940	Plug Insert, Screw Terminated #1-16
PLX-10.1950	Receptacle Insert, Screw Terminated #1-16
PLX-10.2020	Plug Insert, Screw Terminated #17-32
PLX-10.2030	Receptacle Insert, Screw Terminated #17-32



EPIC® INDUSTRIAL CONNECTORS

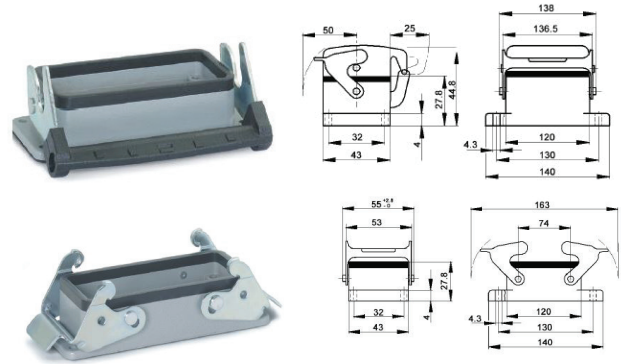
For Hot Runner Controls, Molds, Robots, Machines, Accessories, Data, Etc.

www.plastixs.com

EPIC® HB 24 Series Housings, Hoods & Inserts

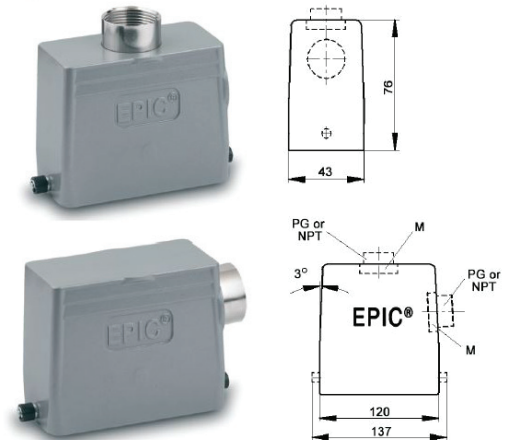
Housings - Panel Mount

Part #	Description
PLX-10.1029	Metal Housing, Single Lever
PLX-10.1020	Metal Housing, Double Lever



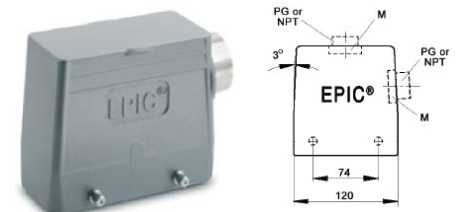
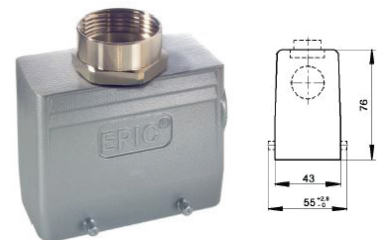
Hoods (order Strain Relief Gland separately)

Part #	Description
PLX-10.1219	Top Entry, Single Lever
PLX-10.1139	Side Entry, Single Lever
PLX-10.1210	Top Entry, Double Lever
PLX-10.1130	Side Entry, Double Lever
PLX-10.1119	Top Entry, Single Lever
PLX-10.1239	Side Entry, Single Lever
PLX-10.1110	Top Entry, Double Lever
PLX-10.1230	Side Entry, Double Lever



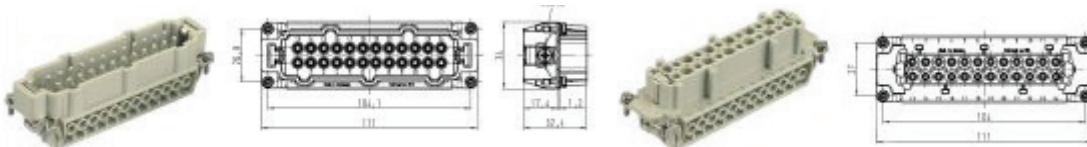
SKINTOP® Straight Strain Relief Glands

Part #	Thread (M)	Wire O.D.
PLX-S1121	PG-21	0.521"-0.709"
PLX-S1221	PG-21	0.354"-0.630"
PLX-S1129	PG-29	0.551"-0.984"
PLX-S1229	PG-29	0.433"-0.787"



EPIC® E Inserts (24 contacts + ⚡)

Part #	Description	Price
PLX-10.1960	Plug Insert, Screw Terminated #1-24	\$23.50
PLX-10.1970	Receptacle Insert, Screw Terminated #1-24	\$23.75



plastixs
manufacturing solutions

www.plastixs.com

sales@plastixs.com (888) 792-2223

Full Line EPIC®
Industrial Connectors
Distributor
call us for part #'s now

EPIC® INDUSTRIAL CONNECTORS

For Hot Runner Controls, Molds, Robots, Machines, Accessories, Data, Etc.

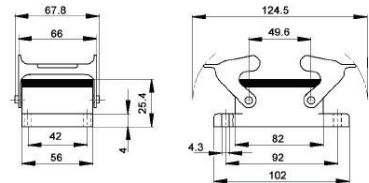
www.plastixs.com

EPIC® HA 32 Series Housings, Hoods & Inserts



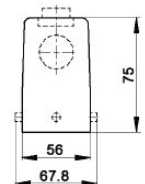
Housings - Panel Mount

Part #	Description
PLX-10.4720	Metal Housing, Double Lever



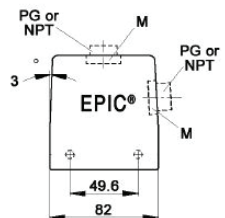
Hoods (order Strain Relief Gland separately)

Part #	Description
PLX-10.5820	Top Entry, Double Lever
PLX-10.5760	Side Entry, Double Lever
PLX-10.5830	Top Entry, Double Lever
PLX-10.5770	Side Entry, Double Lever



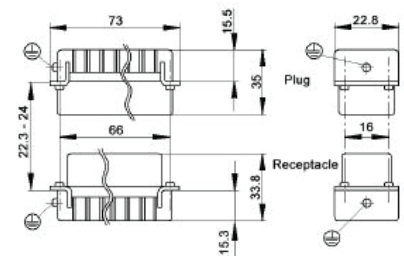
SKINTOP® Straight Strain Relief Glands

Part #	Thread (M)	Wire O.D.
PLX-S1121	PG-21	0.521"-0.709"
PLX-S1129	PG-29	0.551"-0.984"



EPIC® A Inserts (16 contacts + ⊕)

Part #	Description
PLX-10.5300	Plug Insert, Screw Terminated #1-16
PLX-10.5310	Receptacle Insert, Screw Terminated #1-16
PLX-10.5400	Plug Insert, Screw Terminated #17-32
PLX-10.5410	Receptacle Insert, Screw Terminated #17-32



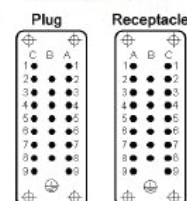
All dimensions are in mm.

EPIC® D Inserts (25 contacts + ⊕)

Part #	Description
PLX-11.2833	Plug Insert, Screw Terminated
PLX-11.2823	Receptacle Insert, Screw Terminated



View from Cable Side



EPIC® INDUSTRIAL CONNECTORS

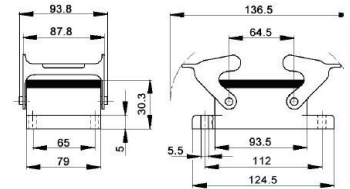
For Hot Runner Controls, Molds, Robots, Machines, Accessories, Data, Etc.

www.plastixs.com

EPIC® HB 32 Series Housings, Hoods & Inserts

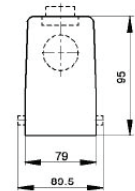
Housings - Panel Mount

<u>Part #</u>	<u>Description</u>
PLX-10.1320	Metal Housing, Double Lever



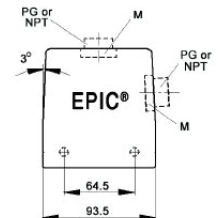
Hoods (order Strain Relief Gland separately)

<u>Part #</u>	<u>Description</u>
PLX-10.1340	Top Entry, Double Lever
PLX-10.1360	Side Entry, Double Lever



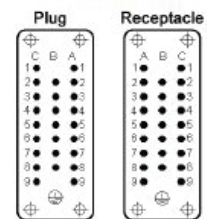
SKINTOP® Straight Strain Relief Glands

<u>Part #</u>	<u>Thread (M)</u>	<u>Wire O.D.</u>
PLX-S1129	PG-29	0.521"-0.709"
PLX-S1229	PG-29	0.433"-0.787"
PLX-S1136	PG-36	0.945"-1.260"
PLX-S1236	PG-36	0.669"-1.024"



EPIC® E Inserts (16 contacts + ⊥)

<u>Part #</u>	<u>Description</u>
PLX-10.1940	Plug Insert, Screw Terminated #1-16
PLX-10.1950	Receptacle Insert, Screw Terminated #1-16
PLX-10.2020	Plug Insert, Screw Terminated #17-32
PLX-10.2030	Receptacle Insert, Screw Terminated #17-32



Full Line EPIC®
Industrial Connectors
Distributor

call us for part #'s not listed

EPIC® INDUSTRIAL CONNECTORS

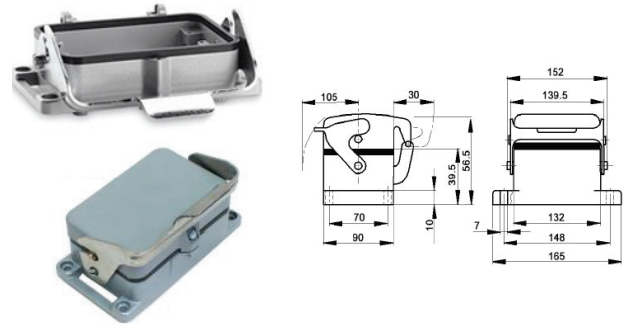
For Hot Runner Controls, Molds, Robots, Machines, Accessories, Data, Etc.

www.plastixs.com

EPIC® HB 48 Series Housings, Hoods & Inserts

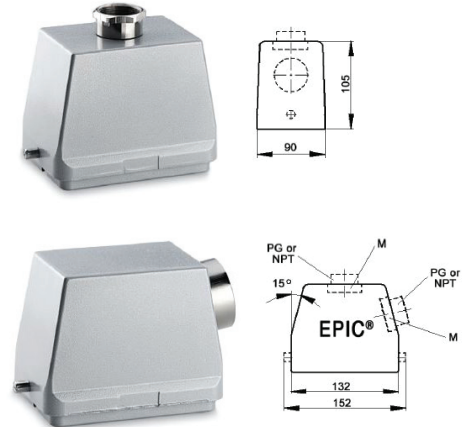
Housings - Panel Mount

Part #	Description
PLX-10.1610	Metal Housing, Single Lever
PLX-10.1520	Metal Housing, Single Lever w/cover



Hoods (order Strain Relief Gland separately)

Part #	Description
PLX-10.1550	Top Entry, Single Lever
PLX-10.1580	Side Entry, Single Lever
PLX-10.1560	Top Entry, Single Lever
PLX-10.1590	Side Entry, Single Lever
PLX-10.1570	Top Entry, Single Lever
PLX-10.1600	Side Entry, Single Lever



SKINTOP® Straight Strain Relief Glands

Part #	Thread (M)	Wire O.D.
PLX-S1129	PG-29	0.521"-0.709"
PLX-S1229	PG-29	0.433"-0.787"
PLX-S1136	PG-36	0.945"-1.260"
PLX-S1236	PG-36	1.378"-1.496"
PLX-S1142	PG-42	0.669"-1.024"
PLX-S1242	PG-42	0.866"-1.220"



Full Line EPIC®
Industrial Connectors
Distributor
call us for part #'s not listed

EPIC® E Inserts (24 contacts + ⊕)

Part #	Description
PLX-10.1960	Plug Insert, Screw Terminated #1-24
PLX-10.1970	Receptacle Insert, Screw Terminated #1-24
PLX-10.2040	Plug Insert, Screw Terminated #25-48
PLX-10.2050	Receptacle Insert, Screw Terminated #25-48

