

SMARTFLOW[®] High Pressure and Temperature Stainless Steel Flow Regulators

General Description

Smartflow High Pressure and Temperature Stainless Steel Flow Regulators are designed for use in hot water or oil cooling systems up to 400° F (204°C) and 150 psi (10.3 bar).

These regulators are ideal for connection to temperature control units in an injection molding environment. 1/2"NPT(F) threaded ends are standard. Temperature Gauge is optional.

Stainless steel valve seat and high temperature seals provide long, trouble-free service.



Model Number

HFR4 - A - 60

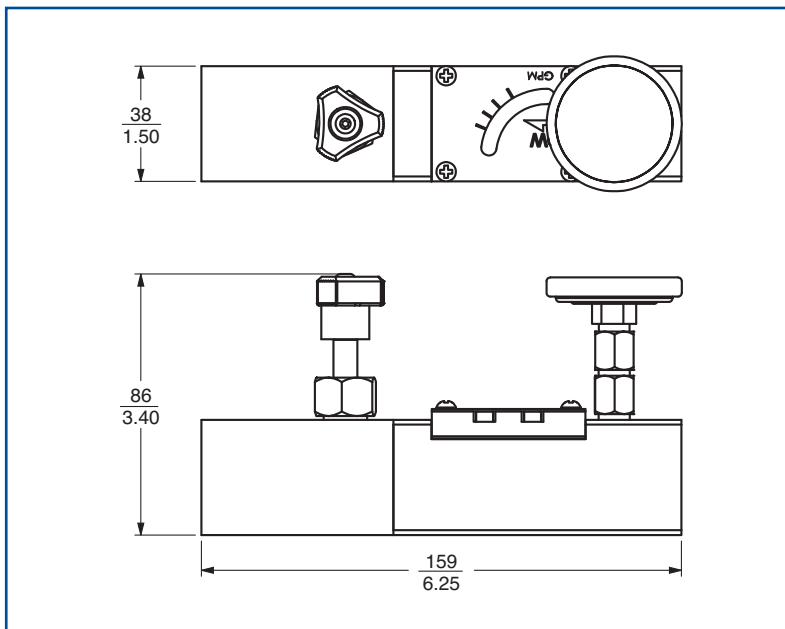
Temperature Gauge		Flow Range
No Temperature Gauge	A	60 2 - 6 gpm (gallons per minute)
With Temperature Gauge	B	220 5 - 22 lpm (liters per minute)

Wetted Parts and Materials

Body	Stainless Steel
Viewing Window	Glass
Vane	Stainless Steel
Spring	Stainless Steel
Hinge Pin	Stainless Steel
Gasket	Non-Asbestos Fiber
Magnet	Sintered Alnico 8GE
Accuracy	±10%

Specifications

Operating Temperature max.	400°F (204°C)
Operating Pressure max.	150 psi (10.3 bar)
Dual Scale Temperature Gauge	0° to 600°F (0° to 300°C)



Design and specifications are subject to change without notice.