

# EPIC® INDUSTRIAL CONNECTORS

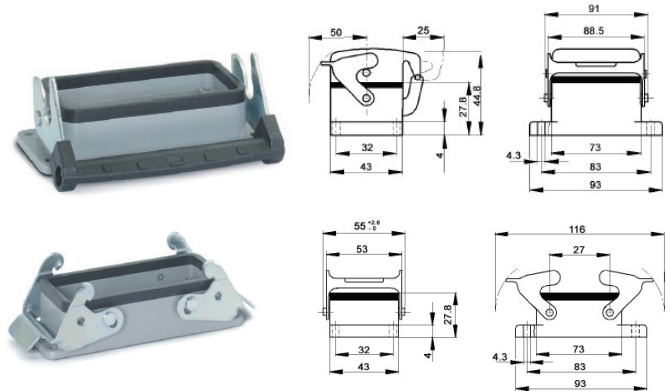
For Hot Runner Controls, Molds, Robots, Machines, Accessories, Data, Etc.

[www.plastixs.com](http://www.plastixs.com)

## EPIC® HB 10 Series Housings, Hoods & Inserts

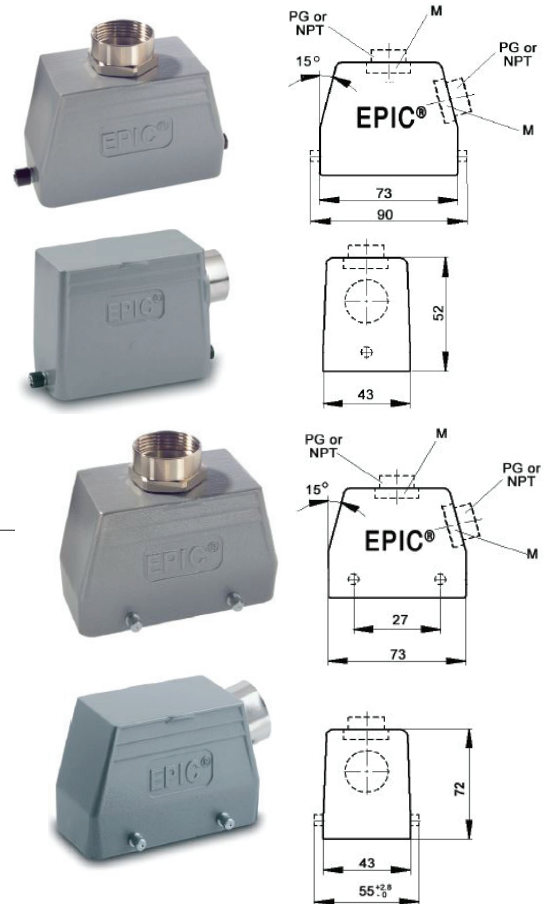
### Housings - Panel Mount

Part #	Description
PLX-10.0329	Metal Housing, Single Lever
PLX-10.0320	Metal Housing, Double Lever



### Hoods (order Strain Relief Gland separately)

Part #	Description
PLX-10.0409	Top Entry, Single Lever
PLX-10.0400	Top Entry, Double Lever
PLX-10.0429	Side Entry, Single Lever
PLX-10.0420	Side Entry, Double Lever



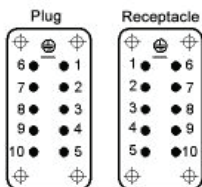
### SKINTOP® Straight Strain Relief Glands

Part #	Thread (M)	Wire O.D.
PLX-S1116	PG-16	0.354"-0.551"
PLX-S1216	PG-16	0.236"-0.472"



### EPIC® E Inserts (10 contacts + ⊕)

Part #	Description
PLX-10.1920	Plug Insert, Screw Terminated
PLX-10.1930	Receptacle Insert, Screw Terminated




**Full Line EPIC®**  
 Industrial Connectors  
 Distributor  
 call us for part #'s not listed