

# EPIC® INDUSTRIAL CONNECTORS

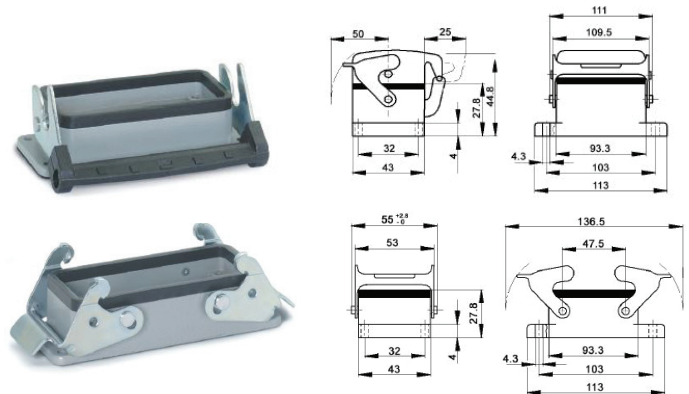
For Hot Runner Controls, Molds, Robots, Machines, Accessories, Data, Etc.

[www.plastixs.com](http://www.plastixs.com)

## EPIC® HB 16 Series Housings, Hoods & Inserts

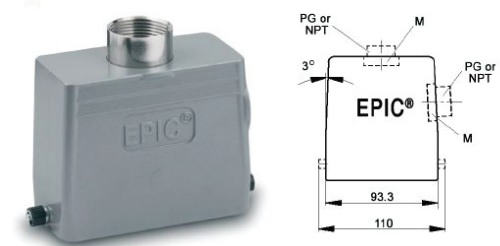
### Housings - Panel Mount

Part #	Description
PLX-10.0729	Metal Housing, Single Lever
PLX-10.0720	Metal Housing, Double Lever



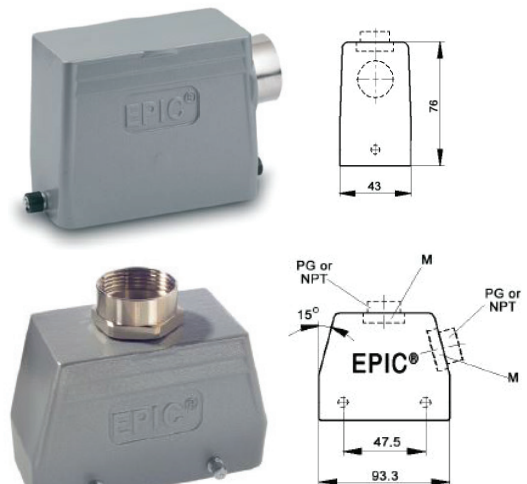
### Hoods (order Strain Relief Gland separately)

Part #	Description	Thread (M)
PLX-10.0809	Top Entry, Single Lever	PG-21
PLX-10.0800	Top Entry, Double Lever	PG-21
PLX-10.0829	Side Entry, Single Lever	PG-21
PLX-10.0820	Side Entry, Double Lever	PG-21
PLX-10.0909	Top Entry, Single Lever	PG-29
PLX-10.0900	Top Entry, Double Lever	PG-29



### SKINTOP® Straight Strain Relief Glands

Part #	Thread (M)	Wire O.D.
PLX-S1121	PG-21	0.521"-0.709"
PLX-S1221	PG-21	0.354"-0.630"



### EPIC® E Inserts (16 contacts + ⊕)

Part #	Description
PLX-10.1940	Plug Insert, Screw Terminated #1-16
PLX-10.1950	Receptacle Insert, Screw Terminated #1-16
PLX-10.2020	Plug Insert, Screw Terminated #17-32
PLX-10.2030	Receptacle Insert, Screw Terminated #17-32

