

EPIC® INDUSTRIAL CONNECTORS

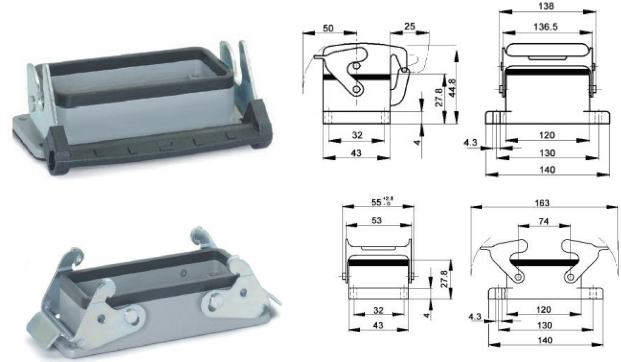
For Hot Runner Controls, Molds, Robots, Machines, Accessories, Data, Etc.

www.plastixs.com

EPIC® HB 24 Series Housings, Hoods & Inserts

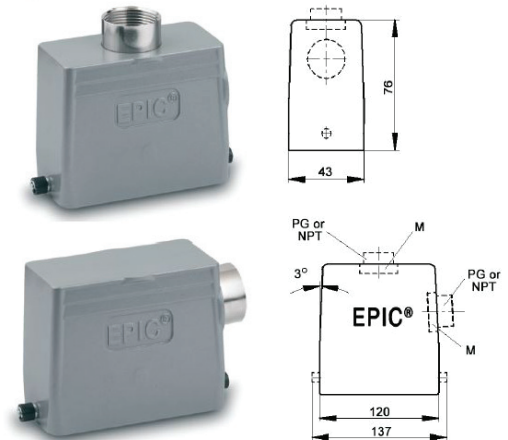
Housings - Panel Mount

Part #	Description
PLX-10.1029	Metal Housing, Single Lever
PLX-10.1020	Metal Housing, Double Lever



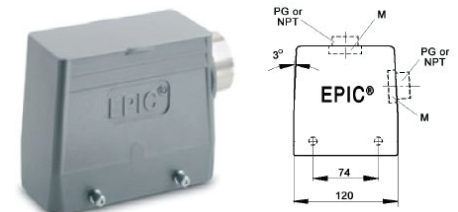
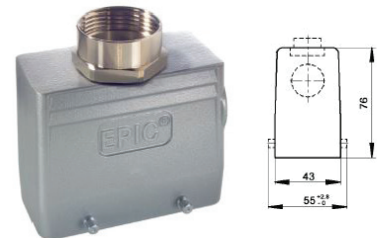
Hoods (order Strain Relief Gland separately)

Part #	Description
PLX-10.1219	Top Entry, Single Lever
PLX-10.1139	Side Entry, Single Lever
PLX-10.1210	Top Entry, Double Lever
PLX-10.1130	Side Entry, Double Lever
PLX-10.1119	Top Entry, Single Lever
PLX-10.1239	Side Entry, Single Lever
PLX-10.1110	Top Entry, Double Lever
PLX-10.1230	Side Entry, Double Lever



SKINTOP® Straight Strain Relief Glands

Part #	Thread (M)	Wire O.D.
PLX-S1121	PG-21	0.521"-0.709"
PLX-S1221	PG-21	0.354"-0.630"
PLX-S1129	PG-29	0.551"-0.984"
PLX-S1229	PG-29	0.433"-0.787"



EPIC® E Inserts (24 contacts + ⚡)

Part #	Description	Price
PLX-10.1960	Plug Insert, Screw Terminated #1-24	\$23.50
PLX-10.1970	Receptacle Insert, Screw Terminated #1-24	\$23.75

