

EPIC[®] INDUSTRIAL CONNECTORS

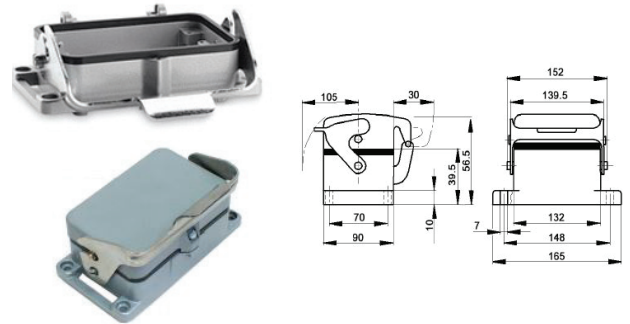
For Hot Runner Controls, Molds, Robots, Machines, Accessories, Data, Etc.

www.plastixs.com

EPIC[®] HB 48 Series Housings, Hoods & Inserts

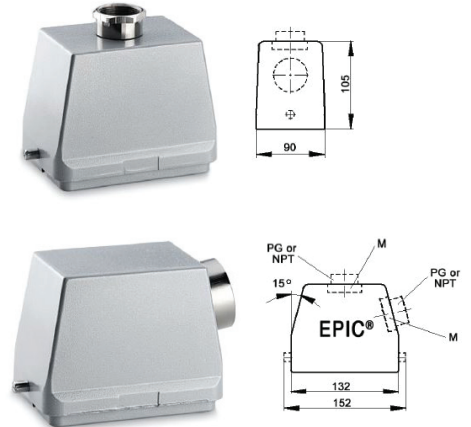
Housings - Panel Mount

Part #	Description
PLX-10.1610	Metal Housing, Single Lever
PLX-10.1520	Metal Housing, Single Lever w/cover



Hoods (order Strain Relief Gland separately)

Part #	Description
PLX-10.1550	Top Entry, Single Lever
PLX-10.1580	Side Entry, Single Lever
PLX-10.1560	Top Entry, Single Lever
PLX-10.1590	Side Entry, Single Lever
PLX-10.1570	Top Entry, Single Lever
PLX-10.1600	Side Entry, Single Lever



SKINTOP[®] Straight Strain Relief Glands

Part #	Thread (M)	Wire O.D.
PLX-S1129	PG-29	0.521"-0.709"
PLX-S1229	PG-29	0.433"-0.787"
PLX-S1136	PG-36	0.945"-1.260"
PLX-S1236	PG-36	1.378"-1.496"
PLX-S1142	PG-42	0.669"-1.024"
PLX-S1242	PG-42	0.866"-1.220"



Full Line EPIC[®]
Industrial Connectors
Distributor
call us for part #'s not listed

EPIC[®] E Inserts (24 contacts + ⊕)

Part #	Description
PLX-10.1960	Plug Insert, Screw Terminated #1-24
PLX-10.1970	Receptacle Insert, Screw Terminated #1-24
PLX-10.2040	Plug Insert, Screw Terminated #25-48
PLX-10.2050	Receptacle Insert, Screw Terminated #25-48

