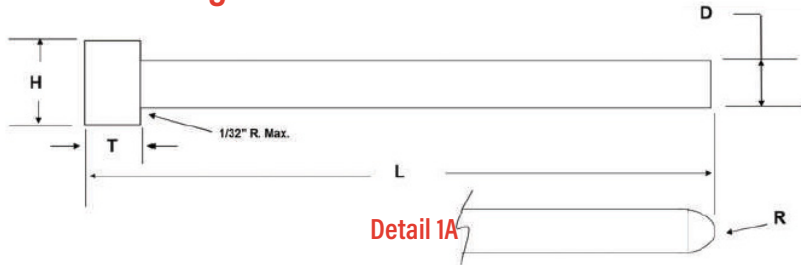


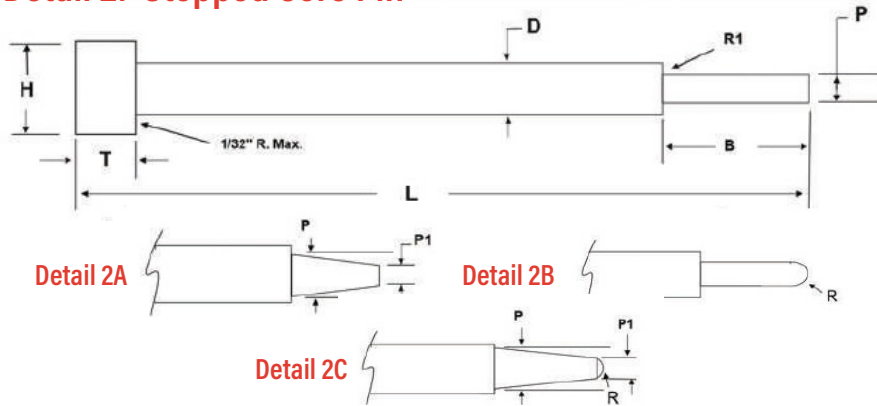
Custom Pins & Blades Request Form

Detail 1: Straight Pin



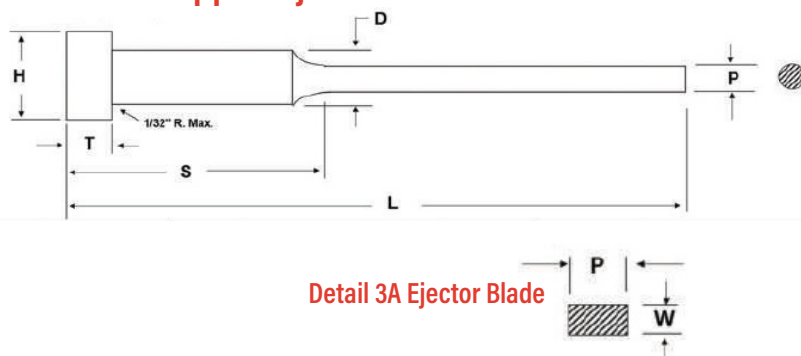
Dimensions		TOLERANCES	
D		+	-
H		+	-
T		+	-
L		+	-
R		+	-

Detail 2: Stepped Core Pin



Dimensions		TOLERANCES	
D		+	-
H		+	-
T		+	-
L		+	-
R		+	-
R1		+	-
P		+	-
P1		+	-
S		+	-

Detail 3: Stepped Ejector Pin



Dimensions		TOLERANCES	
D		+	-
H		+	-
T		+	-
L		+	-
P		+	-
S		+	-
W		+	-

Quantity:	Detail:	Material:
Hardness:	Notes:	
Contact Name:	Company Name:	
Email:	Phone:	