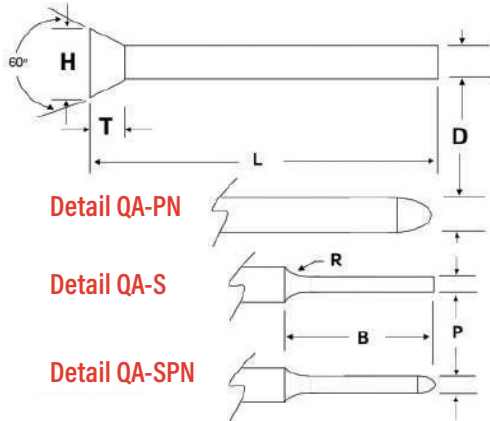


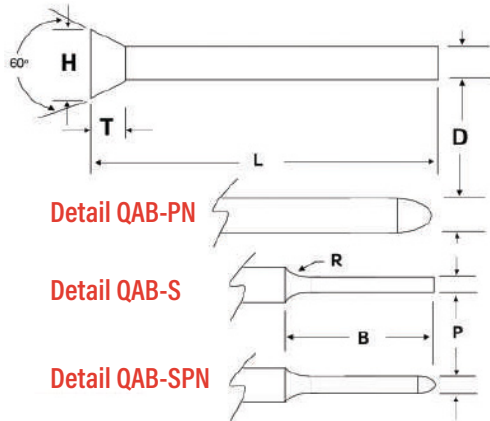
Custom Punches & Perforators Request Form

Detail QA:



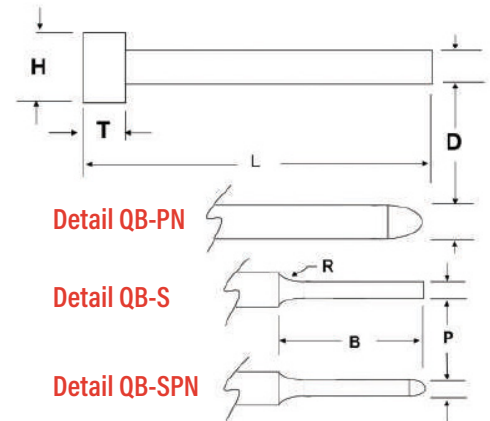
Dimensions	TOLERANCES	
D	+	-
H	+	-
T	+	-
L	+	-
R	+	-
B	+	-
P	+	-

Detail QAB:



Dimensions	TOLERANCES	
D	+	-
H	+	-
T	+	-
L	+	-
R	+	-
B	+	-
P	+	-

Detail QB:



Dimensions	TOLERANCES	
D	+	-
H	+	-
T	+	-
L	+	-
R	+	-
B	+	-
P	+	-

Quantity:	Detail:	Material:
Hardness:	Notes:	
Contact Name:	Company Name:	
Email:	Phone:	