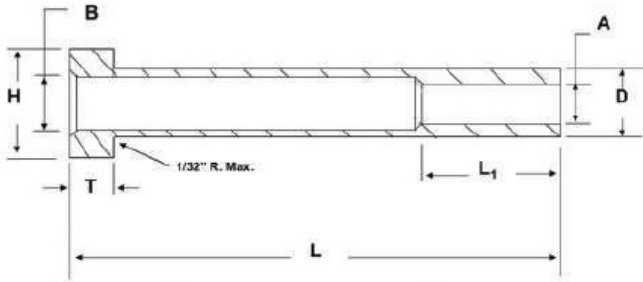


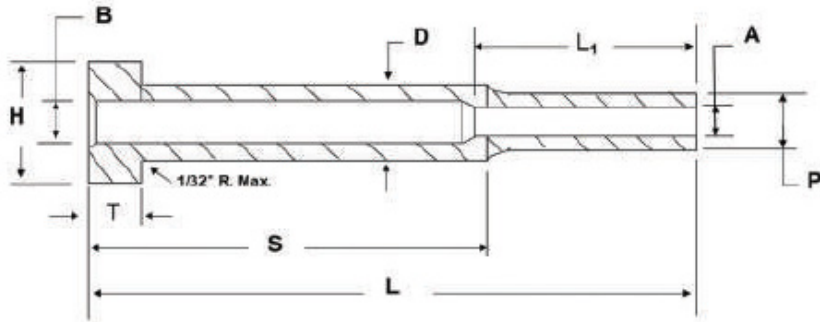
Custom Sleeves & Water-Cooled Core Pins Request Form

Detail ESL-1: Straight Ejector Sleeve



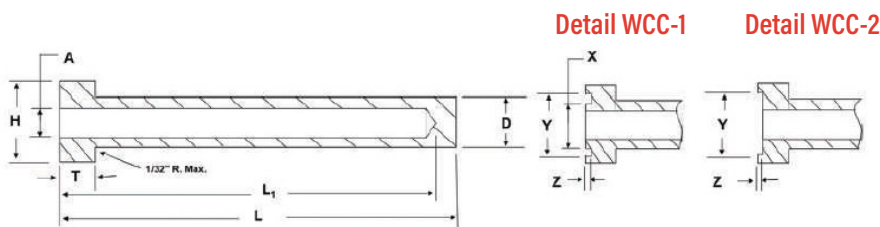
Dimensions		TOLERANCES	
B		+	-
A		+	-
H		+	-
D		+	-
T		+	-
L		+	-
L1		+	-

Detail ESL-2: Stepped Ejector Sleeve



Dimensions		TOLERANCES	
B		+	-
D		+	-
L		+	-
L1		+	-
A		+	-
H		+	-
P		+	-
T		+	-
S		+	-

Detail WCC: Water-Cooled Core Pin



Dimensions		TOLERANCES	
A		+	-
D		+	-
H		+	-
T		+	-
L		+	-
L1		+	-
X		+	-
Y		+	-
Z		+	-

Quantity:	Detail:	Material:
Hardness:	Notes:	
Contact Name:	Company Name:	
Email:	Phone:	