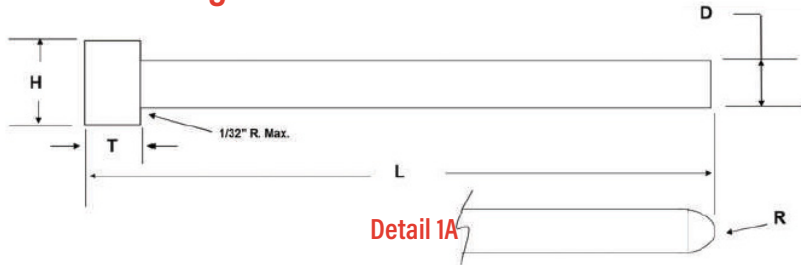


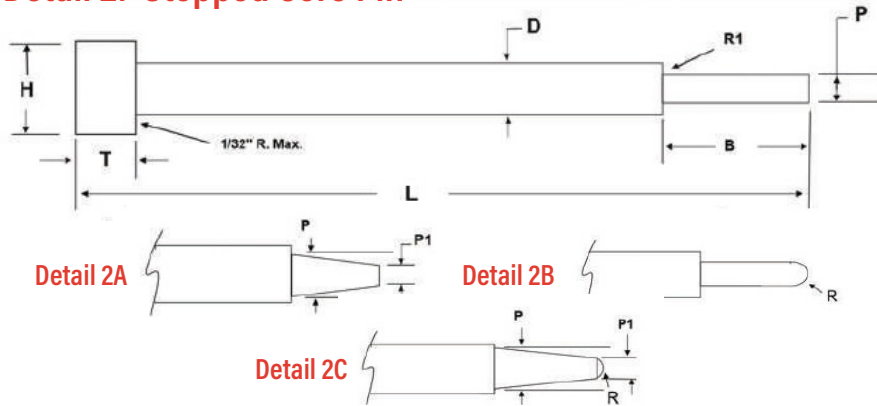
Custom Pins & Blades Request Form

Detail 1: Straight Pin



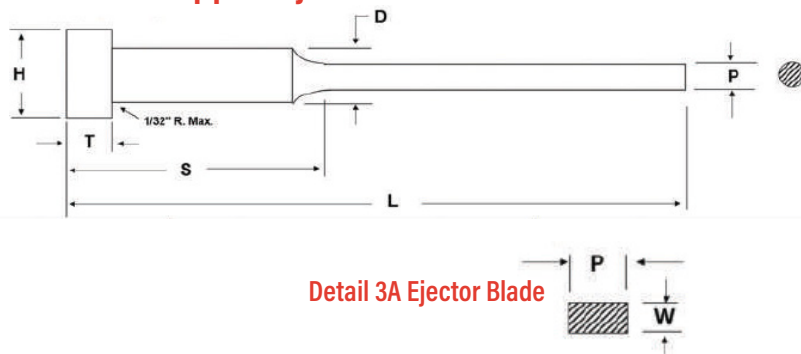
Dimensions		TOLERANCES	
D		+	-
H		+	-
T		+	-
L		+	-
R		+	-

Detail 2: Stepped Core Pin



Dimensions		TOLERANCES	
D		+	-
H		+	-
T		+	-
L		+	-
R		+	-
R1		+	-
P		+	-
P1		+	-
S		+	-

Detail 3: Stepped Ejector Pin

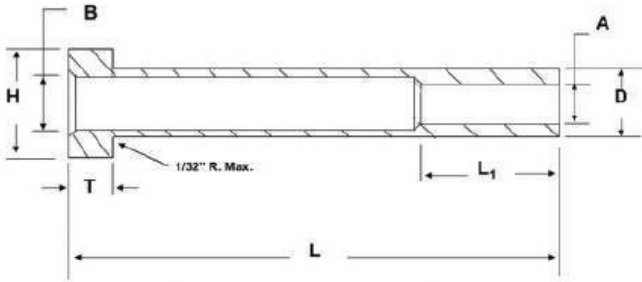


Dimensions		TOLERANCES	
D		+	-
H		+	-
T		+	-
L		+	-
P		+	-
S		+	-
W		+	-

Quantity:	Detail:	Material:
Hardness:	Notes:	
Contact Name:	Company Name:	
Email:	Phone:	

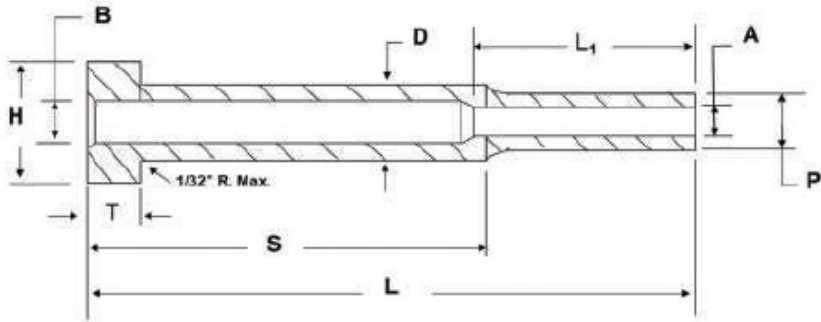
Custom Sleeves & Water-Cooled Core Pins Request Form

Detail ESL-1: Straight Ejector Sleeve



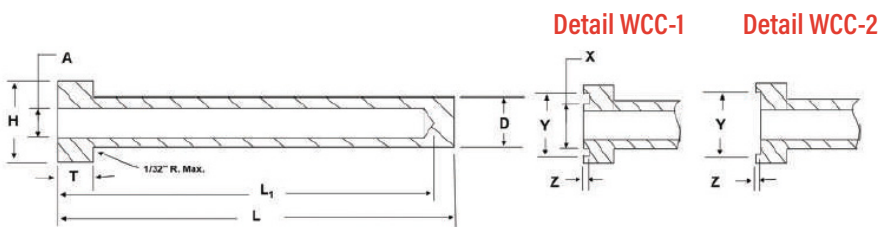
Dimensions		TOLERANCES	
B		+	-
A		+	-
H		+	-
D		+	-
T		+	-
L		+	-
L1		+	-

Detail ESL-2: Stepped Ejector Sleeve



Dimensions		TOLERANCES	
B		+	-
D		+	-
L		+	-
L1		+	-
A		+	-
H		+	-
P		+	-
T		+	-
S		+	-

Detail WCC: Water-Cooled Core Pin

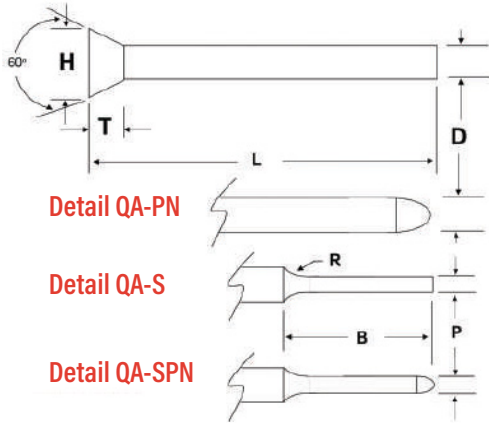


Dimensions		TOLERANCES	
A		+	-
D		+	-
H		+	-
T		+	-
L		+	-
L1		+	-
X		+	-
Y		+	-
Z		+	-

Quantity:	Detail:	Material:
Hardness:	Notes:	
Contact Name:	Company Name:	
Email:	Phone:	

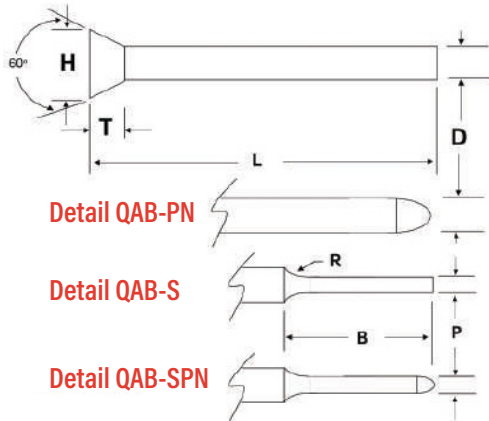
Custom Punches & Perforators Request Form

Detail QA:



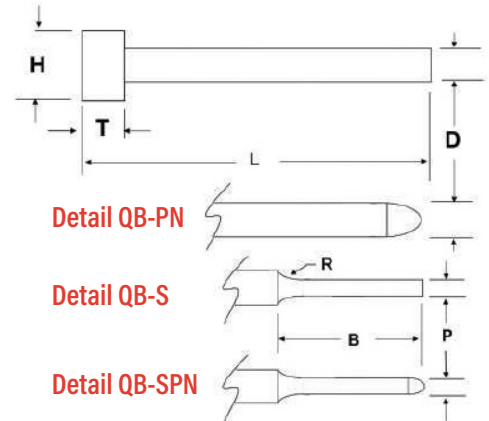
Dimensions		TOLERANCES	
D		+	-
H		+	-
T		+	-
L		+	-
R		+	-
B		+	-
P		+	-

Detail QAB:



Dimensions		TOLERANCES	
D		+	-
H		+	-
T		+	-
L		+	-
R		+	-
B		+	-
P		+	-

Detail QB:



Dimensions		TOLERANCES	
D		+	-
H		+	-
T		+	-
L		+	-
R		+	-
B		+	-
P		+	-

Quantity:	Detail:	Material:
Hardness:	Notes:	
Contact Name:	Company Name:	
Email:	Phone:	