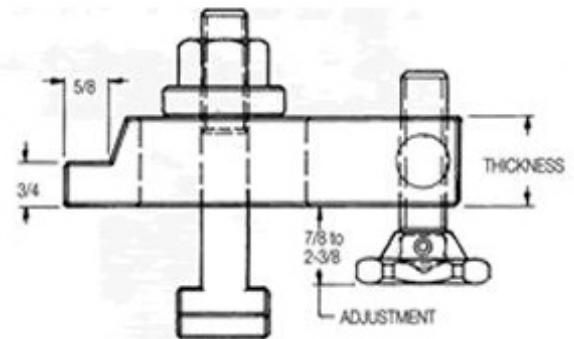
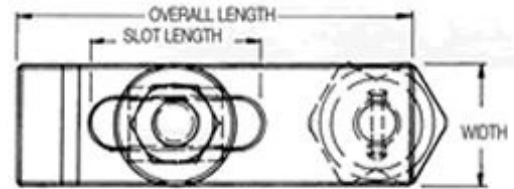


Enclosed Slot Style Mold Clamp Assembly for T-Slotted Machines

Extra Heavy Duty

(with Swivel Base Adjusting Screw)



Each Mold Clamp Assembly Consist of:

- 1-Mold Clamp Body
- 1-Mold Washer
- 1-Clamp Adjusting Screw
- 1-High-Strength T-Slot Bolt

T-Slot Bolt Size - Supplied with Assembly Diameter x Length	Mold Clamp Body Specifications				Complete Assembly Item Number	Assembly Price \$\$	Individual Bodies Item Number	Body Price \$\$
	Thickness	Width	Slot Length	Overall Length				
5/8"-11 x 4-1/2"	1-1/4"	1-3/4"	2-5/8"	6"	TBA-5861-A	\$51.47	XHD-5861	\$28.24
3/4"-10 x 5"	1-1/2"	2"	2-3/4"	6-1/2"	TBA-7566-A	\$72.35	XHD-7566	\$41.47
1"-8 x 6"	1-3/4"	2-1/2"	3"	8"	TBA-1009-A	\$121.77	XHD-1009	\$68.83

