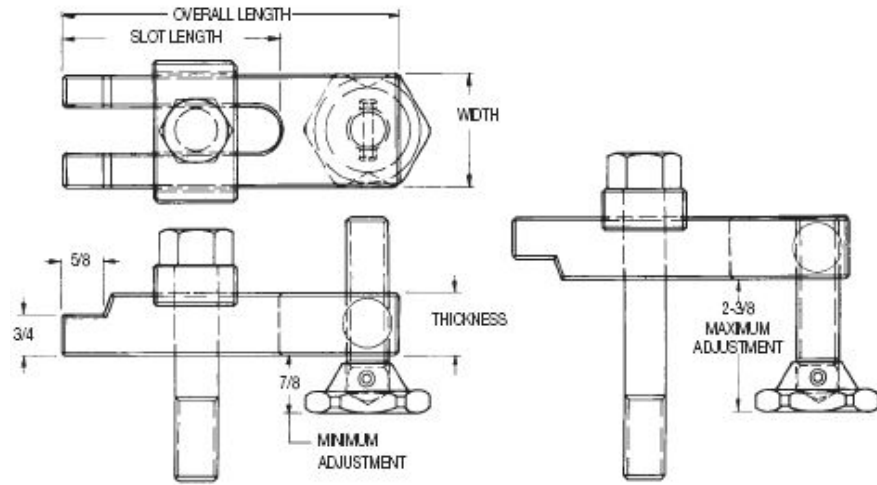


# Open Slot Style Mold Clamp Assembly

## Extra Heavy Duty

(with Swivel Base Adjusting Screw)



### Each Mold Clamp Assembly Consist of:

- 1-Mold Clamp Body
- 1-Clamp Adjusting Screw
- 1-Mold Washer
- 1-Clamping Screw

For Clamping Screw Diameter	Clamping Screw Size - Supplied with Assembly Diameter x Length	Mold Clamp Body Specifications				Complete Assembly Item Number	Assembly Price \$\$	Individual Bodies Item Number	Body Price \$\$
		Thickness	Width	Slot Length	Overall Length				
5/8"	5/8"-11 x 3-3/4"	1-1/4"	1-3/4"	3-5/8"	6"	TAC-5860-A	\$50.00	XHD-5860	\$29.71
				4-5/8"	7-1/2"	TAC-5875-A	\$59.71	XHD-5875	\$39.41
3/4"	3/4"-10 x 4-1/2"	1-1/2"	2"	4"	6-1/2"	TAC-7565-A	\$67.94	XHD-7565	\$43.53
				5"	8"	TAC-7580-A	\$77.35	XHD-7580	\$52.94
				6"	9-1/2"	TAC-7595-A	\$86.47	XHD-7595	\$62.06
1"	1"-8 x 5-1/2"	1-3/4"	2-1/2"	4-3/8"	8"	TAC-1008-A	\$111.76	XHD-1008	\$71.77
				6-3/8"	11"	TAC-1011-A	\$138.82	XHD-1011	\$98.82

