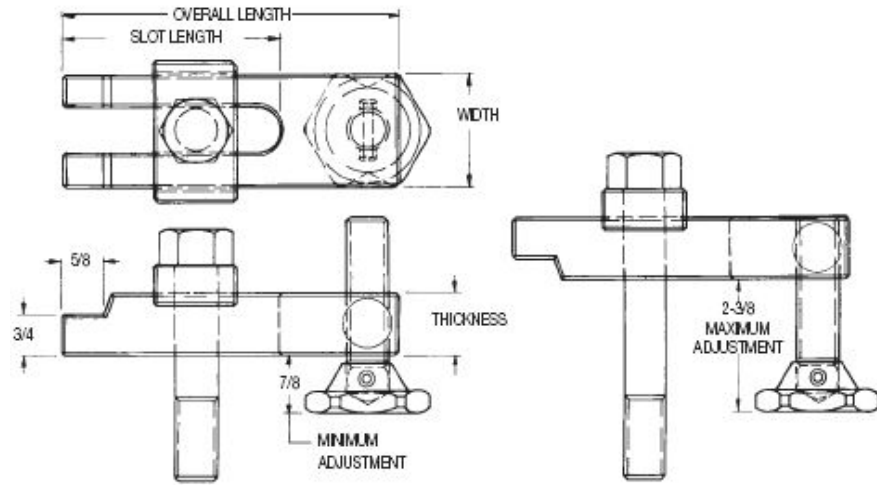


Open Slot Style Mold Clamp Assembly

Heavy Duty

(with Swivel Base Adjusting Screw)



Each Mold Clamp Assembly Consist of:

- 1-Mold Clamp Body
- 1-Clamp Adjusting Screw
- 1-Mold Washer
- 1-Clamping Screw

For Clamping Screw Diameter	Clamping Screw Size - Supplied with Assembly Diameter x Length	Mold Clamp Body Specifications				Complete Assembly Item Number	Assembly Price \$\$	Individual Bodies Item Number	Body Price \$\$
		Thickness	Width	Slot Length	Overall Length				
5/8"	5/8"-11 x 3-1/2"	1"	1-3/4"	2-3/4"	4"	TAC-584-A	\$37.06	HD-584	\$17.06
				3-1/4"	5"	TAC-585-A	\$39.71	HD-585	\$19.71
				3-3/4"	6"	TAC-586-A	\$42.94	HD-586	\$22.94
				4-1/4"	7"	TAC-587-A	\$46.77	HD-587	\$26.77
3/4"	3/4"-10 x 4"	1-1/8"	2"	3-3/8"	5"	TAC-755-A	\$56.47	HD-755	\$32.36
				3-7/8"	6"	TAC-756-A	\$61.47	HD-756	\$37.36
				4-3/8"	7"	TAC-757-A	\$68.53	HD-757	\$44.42
				5-3/8"	8"	TAC-758-A	\$73.82	HD-758	\$49.71
1"	1"-8 x 5"	1-1/2"	2-1/2"	6"	10"	TAC-110-A	\$118.23	HD-110	\$78.82

