



## Morris Vacuum Tubing and Fittings



*for Vacuum Cleaning Systems*

**MORRIS**  
COUPLING COMPANY

Distributed By: **plastiXs**<sup>®</sup>  
manufacturing solutions

151 Memorial Drive, Suite H  
Shrewsbury, MA 01545

888-792-2223

[www.plastixs.com](http://www.plastixs.com)

[sales@plastixs.com](mailto:sales@plastixs.com)

Morris Coupling Company can provide you with a complete line of tubular components for your vacuum cleaning system. Tubing and fittings, stocked in a variety of materials, are manufactured to exacting standards.

To order from our extensive inventory, or to obtain more information, use the handy toll-free number listed in this catalog.

**All reference dimensions are nominal.**  
**Specifications subject to change without notice.**  
**Phone: 1-508-842-1606 • E-mail: [sales@plastixs.com](mailto:sales@plastixs.com)**  
**Internet: [www.plastixs.com](http://www.plastixs.com)**

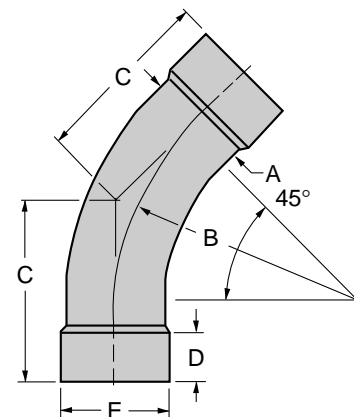
## Standard Stock Tubing

Part No.	Size	Gauge	Carbon Steel	Galvanized Steel	Stainless Steel	Aluminum
			Stock Length	Stock Length	Stock Length	Stock Length
MST-2116	2 1/8"	16	20 ft.	20 ft.	20 ft.	20 ft.
MST-2516	2 1/2"	16	20 ft.	20 ft.	20 ft.	20 ft.
MST-3016	3"	16	20 ft.	20 ft.	20 ft.	20 ft.
MST-3516	3 1/2"	16	20 ft.	20 ft.	20 ft.	20 ft.
MST-4016	4"	16	20 ft.	20 ft.	20 ft.	20 ft.
MST-5014	5"	14	20 ft.	20 ft.	20 ft.	20 ft.
MST-6014	6"	14	20 ft.	20 ft.	20 ft.	20 ft.
MST-8014	8"	14	20 ft.	20 ft.	20 ft.	20 ft.
MST-9012	10"	†	20 ft.	20 ft.	20 ft.	20 ft.
MST-9212	12"	†	20 ft.	20 ft.	20 ft.	20 ft.

**WHEN ORDERING, SPECIFY TYPE OF MATERIAL:**  
 Carbon Steel, Zinc Galv. Coated Steel, Stainless Steel, Aluminum

## Standard Radius 45° Elbows

Part No.	Size	A-o.d.	Gauge	B	C	D*	E-i.d.
MSR-2145	2 1/8"	2 1/8"	16	5"	4 1/16"	1 1/4"	2 1/8"
MSR-2545	2 1/2"	2 1/2"	16	6"	4 1/2"	1 1/4"	2 1/2"
MSR-3045	3"	3"	16	7 1/2"	5 1/8"	1 1/4"	3"
MSR-3545	3 1/2"	3 1/2"	16	8 3/4"	5 5/8"	1 1/4"	3 1/2"
MSR-4045	4"	4"	16	10"	6 1/8"	1 1/4"	4"
MSR-5045	5"	5"	14	12 1/2"	7 13/16"	1 1/2"	5"
MSR-6045	6"	6"	14	15"	9 15/32"	1 1/2"	6"
MSR-8045	8"	8"	14	20"	12 17/32"	—	—
MSR-9045	10"	10"	†	32"	18 1/2"	—	—
MSR-9245	12"	12"	†	36"*	21 5/32"	—	—



**WHEN ORDERING, SPECIFY TYPE OF MATERIAL:**  
 Carbon Steel, Zinc Galv. Coated Steel, Stainless Steel, Aluminum

**Bell or Straight Ends** – 2 1/8" through 6". **Straight ends only** – 8" and up.

\* Segmented (3-piece miter)

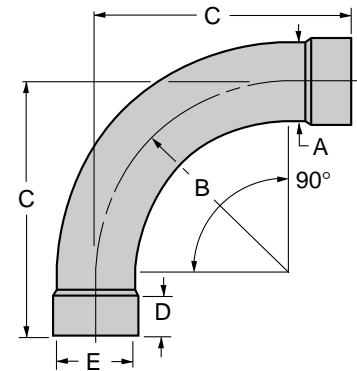
† Consult factory

D\* = expanded length

All dimensions are nominal.

## Standard Radius 90° Elbows

Part No.	Size	A-o.d.	Gauge	B	C	D*	E-i.d.
MSR-2190	2 1/8"	2 1/8"	16	5"	7"	1 1/4"	2 1/8"
MSR-2590	2 1/2"	2 1/2"	16	6"	8"	1 1/4"	2 1/2"
MSR-3090	3"	3"	16	7 1/2"	9 1/2"	1 1/4"	3"
MSR-3590	3 1/2"	3 1/2"	16	8 3/4"	10 3/4"	1 1/4"	3 1/2"
MSR-4090	4"	4"	16	10"	12"	1 1/4"	4"
MSR-5090	5"	5"	14	12 1/2"	15 1/8"	1 1/2"	5"
MSR-6090	6"	6"	14	15"	18 1/4"	1 1/2"	6"
MSR-8090	8"	8"	14	20"	24 1/4"	—	—
MSR-9090	10"	10"	†	32"	37 1/4"	—	—
MSR-9290	12"	12"	†	36**	42 1/4"	—	—



**WHEN ORDERING, SPECIFY TYPE OF MATERIAL:**

Carbon Steel, Zinc Galv. Coated Steel, Stainless Steel, Aluminum

**Bell or Straight Ends** – 2 1/8" through 6". **Straight ends only** – 8" and up.

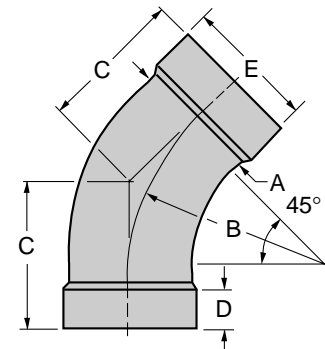
\* Segmented (3-piece miter)

† Consult factory

D\* = expanded length

## Short Radius 45° Elbows

Part No.	Size	A-o.d.	Gauge	B	C	D*	E-i.d.
MSH-3045	3"	3"	16	4 1/2"	3 7/8"	1 1/4"	3"
MSH-4045	4"	4"	16	6"	4 1/2"	1 1/4"	4"
MSH-5045	5"	5"	14	7 1/2"	5 3/4"	1 1/2"	5"
MSH-6045	6"	6"	14	9"	7"	1 1/2"	6"
MSH-8045	8"	8"	14	12"	10 1/16"	—	—



**WHEN ORDERING, SPECIFY TYPE OF MATERIAL:**

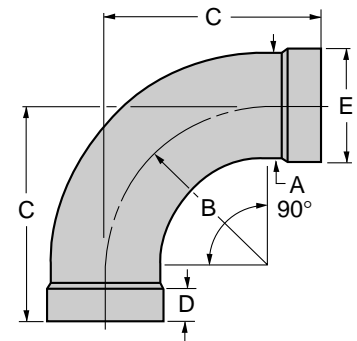
Carbon Steel, Zinc Galv. Coated Steel, Stainless Steel, Aluminum

**Bell or Straight Ends** – 3" through 6". **Straight ends only** – 8".

D\* = expanded length

## Short Radius 90° Elbows

Part No.	Size	A-o.d.	Gauge	B	C	D*	E-i.d.
MSH-3090	3"	3"	16	4 1/2"	6 1/2"	1 1/4"	3"
MSH-4090	4"	4"	16	6"	8"	1 1/4"	4"
MSH-5090	5"	5"	14	7 1/2"	10 1/8"	1 1/2"	5"
MSH-6090	6"	6"	14	9"	12 1/4"	1 1/2"	6"
MSH-8090	8"	8"	14	12"	18 1/4"	—	—



**WHEN ORDERING, SPECIFY TYPE OF MATERIAL:**

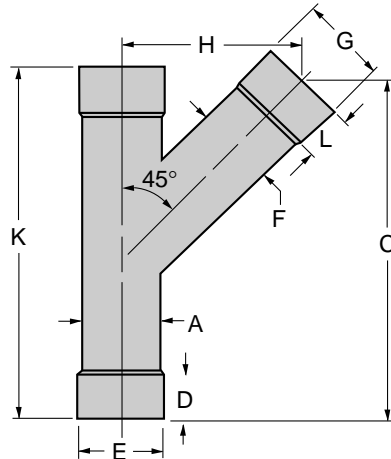
Carbon Steel, Zinc Galv. Coated Steel, Stainless Steel, Aluminum

**Bell or Straight Ends** – 3" through 6". **Straight ends only** – 8".

D\* = expanded length

All dimensions are nominal.

## Standard 45° Y's



Part No.	Size	A-o.d.	Gauge	C	D	E-i.d.	F-o.d.	Gauge	G-i.d.	H	K	L
MSY-2121	2 1/8"	2 1/8"	16	9 3/32"	1 1/4"	2 1/8"	2 1/8"	16	2 1/8"	4 11/16"	9 1/2"	1 1/4"
MSY-2521	2 1/2" x 2 1/8"	2 1/2"	16	9 9/32"	1 1/4"	2 1/2"	2 1/8"	16	2 1/8"	4 7/8"	10"	1 1/4"
MSY-2525	2 1/2"	2 1/2"	16	10 5/32"	1 1/4"	2 1/2"	2 1/2"	16	2 1/2"	5 3/16"	10"	1 1/4"
MSY-3021	3" x 2 1/8"	3"	16	9 17/32"	1 1/4"	3"	2 1/8"	16	2 1/8"	5 1/8"	10 1/2"	1 1/4"
MSY-3025	3" x 2 1/2"	3"	16	10 13/32"	1 1/4"	3"	2 1/2"	16	2 1/2"	5 7/16"	10 1/2"	1 1/4"
MSY-3030	3"	3"	16	11 19/32"	1 1/4"	3"	3"	16	3"	5 29/32"	11 1/2"	1 1/4"
MSY-3521	3 1/2" x 2 1/8"	3 1/2"	16	9 25/32"	1 1/4"	3 1/2"	2 1/8"	16	2 1/8"	5 3/8"	11"	1 1/4"
MSY-3525	3 1/2" x 2 1/2"	3 1/2"	16	10 21/32"	1 1/4"	3 1/2"	2 1/2"	16	2 1/2"	5 11/16"	11"	1 1/4"
MSY-3530	3 1/2" x 3"	3 1/2"	16	11 27/32"	1 1/4"	3 1/2"	3"	16	3"	6 5/32"	13"	1 1/4"
MSY-3535	3 1/2"	3 1/2"	16	12 31/32"	1 1/4"	3 1/2"	3 1/2"	16	3 1/2"	6 9/16"	13"	1 1/4"
MSY-4021	4" x 2 1/8"	4"	16	10 1/32"	1 1/4"	4"	2 1/8"	16	2 1/8"	5 5/8"	12"	1 1/4"
MSY-4025	4" x 2 1/2"	4"	16	10 29/32"	1 1/4"	4"	2 1/2"	16	2 1/2"	5 15/16"	12"	1 1/4"
MSY-4030	4" x 3"	4"	16	12 3/32"	1 1/4"	4"	3"	16	3"	6 13/32"	12"	1 1/4"
MSY-4035	4" x 3 1/2"	4"	16	13 7/32"	1 1/4"	4"	3 1/2"	16	3 1/2"	6 13/16"	14"	1 1/4"
MSY-4040	4"	4"	16	14 11/32"	1 1/4"	4"	4"	16	4"	7 1/4"	14"	1 1/4"
MSY-5021	5" x 2 1/8"	5"	14	10 17/32"	1 1/2"	5"	2 1/8"	16	2 1/8"	6 1/8"	13"	1 1/4"
MSY-5025	5" x 2 1/2"	5"	14	11 13/32"	1 1/2"	5"	2 1/2"	16	2 1/2"	6 7/16"	13"	1 1/4"
MSY-5030	5" x 3"	5"	14	12 19/32"	1 1/2"	5"	3"	16	3"	6 29/32"	15 1/2"	1 1/4"
MSY-5035	5" x 3 1/2"	5"	14	13 23/32"	1 1/2"	5"	3 1/2"	16	3 1/2"	7 5/16"	15 1/2"	1 1/4"
MSY-5040	5" x 4"	5"	14	14 27/32"	1 1/2"	5"	4"	16	4"	7 3/4"	15 1/2"	1 1/4"
MSY-5050	5"	5"	14	17 9/16"	1 1/2"	5"	5"	14	5"	9"	18 1/2"	1 1/2"
MSY-6021	6" x 2 1/8"	6"	14	11 1/32"	1 1/2"	6"	2 1/8"	16	2 1/8"	6 5/8"	15"	1 1/4"
MSY-6025	6" x 2 1/2"	6"	14	11 29/32"	1 1/2"	6"	2 1/2"	16	2 1/2"	6 15/16"	15"	1 1/4"
MSY-6030	6" x 3"	6"	14	13 3/32"	1 1/2"	6"	3"	16	3"	7 13/32"	15"	1 1/4"
MSY-6035	6" x 3 1/2"	6"	14	14 7/32"	1 1/2"	6"	3 1/2"	16	3 1/2"	7 13/16"	17"	1 1/4"
MSY-6040	6" x 4"	6"	14	15 11/32"	1 1/2"	6"	4"	16	4"	8 1/4"	17"	1 1/4"
MSY-6050	6" x 5"	6"	14	18 1/16"	1 1/2"	6"	5"	14	5"	9 1/2"	21"	1 1/2"
MSY-6060	6"	6"	14	20 25/32"	1 1/2"	6"	6"	14	6"	10 29/32"	21"	1 1/2"

**WHEN ORDERING, SPECIFY TYPE OF MATERIAL:**

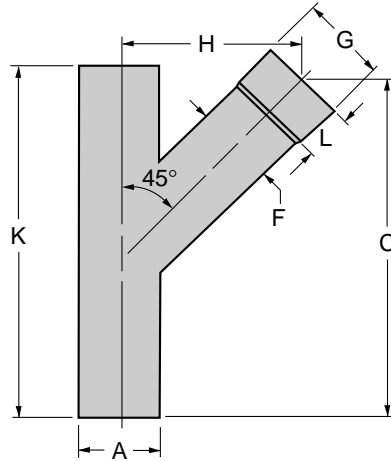
Carbon Steel, Zinc Galv. Coated Steel, Stainless Steel, Aluminum

**Bell or Straight Ends** – 2 1/8" through 6". **Straight ends only** – 8" and up.

*All dimensions are nominal.*



## Standard 45° Y's *continued*



Part No.	Size	A-o.d.	Gauge	C	F-o.d.	Gauge	G-i.d.	H	K	L
MSY-8021	8" x 2 <sup>1</sup> / <sub>8</sub> "	8"	14	12 <sup>1</sup> / <sub>32</sub> "	2 <sup>1</sup> / <sub>8</sub> "	16	2 <sup>1</sup> / <sub>8</sub> "	7 <sup>5</sup> / <sub>8</sub> "	18"	1 <sup>1</sup> / <sub>4</sub> "
MSY-8025	8" x 2 <sup>1</sup> / <sub>2</sub> "	8"	14	12 <sup>29</sup> / <sub>32</sub> "	2 <sup>1</sup> / <sub>2</sub> "	16	2 <sup>1</sup> / <sub>2</sub> "	7 <sup>15</sup> / <sub>16</sub> "	18"	1 <sup>1</sup> / <sub>4</sub> "
MSY-8030	8" x 3"	8"	14	14 <sup>3</sup> / <sub>32</sub> "	3"	16	3"	8 <sup>13</sup> / <sub>32</sub> "	18"	1 <sup>1</sup> / <sub>4</sub> "
MSY-8035	8" x 3 <sup>1</sup> / <sub>2</sub> "	8"	14	15 <sup>7</sup> / <sub>32</sub> "	3 <sup>1</sup> / <sub>2</sub> "	16	3 <sup>1</sup> / <sub>2</sub> "	8 <sup>13</sup> / <sub>16</sub> "	21"	1 <sup>1</sup> / <sub>4</sub> "
MSY-8040	8" x 4"	8"	14	16 <sup>11</sup> / <sub>32</sub> "	4"	16	4"	9 <sup>1</sup> / <sub>4</sub> "	21"	1 <sup>1</sup> / <sub>4</sub> "
MSY-8050	8" x 5"	8"	14	19 <sup>1</sup> / <sub>16</sub> "	5"	14	5"	10 <sup>1</sup> / <sub>2</sub> "	24"	1 <sup>1</sup> / <sub>2</sub> "
MSY-8060	8" x 6"	8"	14	21 <sup>25</sup> / <sub>32</sub> "	6"	14	6"	11 <sup>25</sup> / <sub>32</sub> "	24"	1 <sup>1</sup> / <sub>2</sub> "
MSY-8080	8"	8"	14	27"	8"	14	—	14 <sup>5</sup> / <sub>32</sub> "	29"	—

MSY-9021	10" x 2 <sup>1</sup> / <sub>8</sub> "	10"	†	13 <sup>1</sup> / <sub>32</sub> "	2 <sup>1</sup> / <sub>8</sub> "	16	2 <sup>1</sup> / <sub>8</sub> "	8 <sup>5</sup> / <sub>8</sub> "	21"	1 <sup>1</sup> / <sub>4</sub> "
MSY-9025	10" x 2 <sup>1</sup> / <sub>2</sub> "	10"	†	13 <sup>29</sup> / <sub>32</sub> "	2 <sup>1</sup> / <sub>2</sub> "	16	2 <sup>1</sup> / <sub>2</sub> "	8 <sup>15</sup> / <sub>16</sub> "	21"	1 <sup>1</sup> / <sub>4</sub> "
MSY-9030	10" x 3"	10"	†	15 <sup>3</sup> / <sub>32</sub> "	3"	16	3"	9 <sup>13</sup> / <sub>32</sub> "	21"	1 <sup>1</sup> / <sub>4</sub> "
MSY-9035	10" x 3 <sup>1</sup> / <sub>2</sub> "	10"	†	16 <sup>7</sup> / <sub>32</sub> "	3 <sup>1</sup> / <sub>2</sub> "	16	3 <sup>1</sup> / <sub>2</sub> "	9 <sup>13</sup> / <sub>16</sub> "	24"	1 <sup>1</sup> / <sub>4</sub> "
MSY-9040	10" x 4"	10"	†	17 <sup>11</sup> / <sub>32</sub> "	4"	16	4"	10 <sup>1</sup> / <sub>4</sub> "	24"	1 <sup>1</sup> / <sub>4</sub> "
MSY-9050	10" x 5"	10"	†	20 <sup>1</sup> / <sub>16</sub> "	5"	14	5"	11 <sup>1</sup> / <sub>2</sub> "	24"	1 <sup>1</sup> / <sub>2</sub> "
MSY-9060	10" x 6"	10"	†	22 <sup>3</sup> / <sub>4</sub> "	6"	14	6"	12 <sup>25</sup> / <sub>32</sub> "	28"	1 <sup>1</sup> / <sub>2</sub> "
MSY-9080	10" x 8"	10"	†	28"	8"	14	—	15 <sup>5</sup> / <sub>32</sub> "	32"	—
MSY-9090	10"	10"	†	34 <sup>11</sup> / <sub>16</sub> "	10"	12	—	18 <sup>5</sup> / <sub>8</sub> "	36"	—

MSY-9221	12" x 2 <sup>1</sup> / <sub>8</sub> "	12"	†	14 <sup>1</sup> / <sub>32</sub> "	2 <sup>1</sup> / <sub>8</sub> "	16	2 <sup>1</sup> / <sub>8</sub> "	9 <sup>5</sup> / <sub>8</sub> "	24"	1 <sup>1</sup> / <sub>4</sub> "
MSY-9225	12" x 2 <sup>1</sup> / <sub>2</sub> "	12"	†	14 <sup>29</sup> / <sub>32</sub> "	2 <sup>1</sup> / <sub>2</sub> "	16	2 <sup>1</sup> / <sub>2</sub> "	9 <sup>31</sup> / <sub>32</sub> "	24"	1 <sup>1</sup> / <sub>4</sub> "
MSY-9230	12" x 3"	12"	†	16 <sup>3</sup> / <sub>32</sub> "	3"	16	3"	10 <sup>13</sup> / <sub>32</sub> "	24"	1 <sup>1</sup> / <sub>4</sub> "
MSY-9235	12" x 3 <sup>1</sup> / <sub>2</sub> "	12"	†	17 <sup>7</sup> / <sub>32</sub> "	3 <sup>1</sup> / <sub>2</sub> "	16	3 <sup>1</sup> / <sub>2</sub> "	10 <sup>13</sup> / <sub>16</sub> "	27"	1 <sup>1</sup> / <sub>4</sub> "
MSY-9240	12" x 4"	12"	†	18 <sup>11</sup> / <sub>32</sub> "	4"	16	4"	11 <sup>1</sup> / <sub>4</sub> "	27"	1 <sup>1</sup> / <sub>4</sub> "
MSY-9250	12" x 5"	12"	†	21 <sup>1</sup> / <sub>16</sub> "	5"	14	5"	12 <sup>1</sup> / <sub>2</sub> "	27"	1 <sup>1</sup> / <sub>2</sub> "
MSY-9260	12" x 6"	12"	†	23 <sup>3</sup> / <sub>4</sub> "	6"	14	6"	13 <sup>25</sup> / <sub>32</sub> "	31"	1 <sup>1</sup> / <sub>2</sub> "
MSY-9280	12" x 8"	12"	†	29"	8"	14	—	16 <sup>5</sup> / <sub>32</sub> "	35"	—
MSY-9290	12" x 10"	12"	†	35 <sup>11</sup> / <sub>16</sub> "	10"	12	—	19 <sup>5</sup> / <sub>8</sub> "	39"	—
MSY-9292	12"	12"	†	40 <sup>3</sup> / <sub>4</sub> "	12"	12	—	21 <sup>27</sup> / <sub>32</sub> "	43"	—

### WHEN ORDERING, SPECIFY TYPE OF MATERIAL:

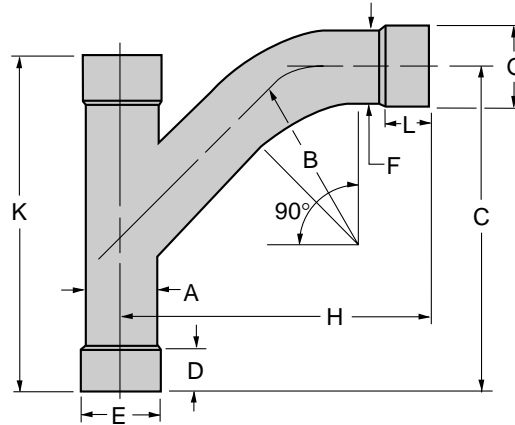
Carbon Steel, Zinc Galv. Coated Steel, Stainless Steel, Aluminum

**Bell or Straight Ends** – 2<sup>1</sup>/<sub>8</sub>" through 6". **Straight ends only** – 8" and up.

† Consult factory

All dimensions are nominal.

## Standard 90° TY's



Part No.	Size	A-o.d.	Gauge	B	C	D	E-i.d.	F-o.d.	Gauge	G-i.d.	H	K	L
MTY-2121	2 1/8"	2 1/8"	16	5"	9 5/32"	1 1/4"	2 1/8"	2 1/8"	16	2 1/8"	8 13/16"	9 1/2"	1 1/4"
MTY-2521	2 1/2" x 2 1/8"	2 1/2"	16	5"	9 11/32"	1 1/4"	2 1/2"	2 1/8"	16	2 1/8"	9"	10"	1 1/4"
MTY-2525	2 1/2"	2 1/2"	16	6"	10 1/2"	1 1/4"	2 1/2"	2 1/2"	16	2 1/2"	10 1/32"	10"	1 1/4"
MTY-3021	3" x 2 1/8"	3"	16	5"	9 19/32"	1 1/4"	3"	2 1/8"	16	2 1/8"	9 1/4"	10 1/2"	1 1/4"
MTY-3025	3" x 2 1/2"	3"	16	6"	10 3/4"	1 1/4"	3"	2 1/2"	16	2 1/2"	10 9/32"	10 1/2"	1 1/4"
MTY-3030	3"	3"	16	7 1/2"	12 3/8"	1 1/4"	3"	3"	16	3"	11 29/32"	11 1/2"	1 1/4"
MTY-3521	3 1/2" x 2 1/8"	3 1/2"	16	5"	9 27/32"	1 1/4"	3 1/2"	2 1/8"	16	2 1/8"	9 1/2"	11"	1 1/4"
MTY-3525	3 1/2" x 2 1/2"	3 1/2"	16	6"	11"	1 1/4"	3 1/2"	2 1/2"	16	2 1/2"	10 17/32"	11"	1 1/4"
MTY-3530	3 1/2" x 3"	3 1/2"	16	7 1/2"	12 5/8"	1 1/4"	3 1/2"	3"	16	3"	12 1/32"	13"	1 1/4"
MTY-3535	3 1/2"	3 1/2"	16	8 3/4"	14 1/8"	1 1/4"	3 1/2"	3 1/2"	16	3 1/2"	13 11/32"	13"	1 1/4"
MTY-4021	4" x 2 1/8"	4"	16	5"	10 3/32"	1 1/4"	4"	2 1/8"	16	2 1/8"	9 3/4"	12"	1 1/4"
MTY-4025	4" x 2 1/2"	4"	16	6"	11 1/4"	1 1/4"	4"	2 1/2"	16	2 1/2"	10 25/32"	12"	1 1/4"
MTY-4030	4" x 3"	4"	16	7 1/2"	12 7/8"	1 1/4"	4"	3"	16	3"	12 9/32"	12"	1 1/4"
MTY-4035	4" x 3 1/2"	4"	16	8 3/4"	14 3/8"	1 1/4"	4"	3 1/2"	16	3 1/2"	13 19/32"	14"	1 1/4"
MTY-4040	4"	4"	16	10"	15 7/8"	1 1/4"	4"	4"	16	4"	14 29/32"	14"	1 1/4"
MTY-5021	5" x 2 1/8"	5"	14	5"	10 19/32"	1 1/2"	5"	2 1/8"	16	2 1/8"	10 1/4"	13"	1 1/4"
MTY-5025	5" x 2 1/2"	5"	14	6"	11 3/4"	1 1/2"	5"	2 1/2"	16	2 1/2"	11 9/32"	13"	1 1/4"
MTY-5030	5" x 3"	5"	14	7 1/2"	13 3/8"	1 1/2"	5"	3"	16	3"	12 25/32"	15 1/2"	1 1/4"
MTY-5035	5" x 3 1/2"	5"	14	8 3/4"	14 7/8"	1 1/2"	5"	3 1/2"	16	3 1/2"	14 3/32"	15 1/2"	1 1/4"
MTY-5040	5" x 4"	5"	14	10"	16 3/8"	1 1/2"	5"	4"	16	4"	15 13/32"	15 1/2"	1 1/4"
MTY-5050	5"	5"	14	12 1/2"	19 3/8"	1 1/2"	5"	5"	14	5"	18 5/8"	18 1/2"	1 1/2"
MTY-6021	6" x 2 1/8"	6"	14	5"	11 3/32"	1 1/2"	6"	2 1/8"	16	2 1/8"	10 3/4"	15"	1 1/4"
MTY-6025	6" x 2 1/2"	6"	14	6"	12 1/4"	1 1/2"	6"	2 1/2"	16	2 1/2"	11 25/32"	15"	1 1/4"
MTY-6030	6" x 3"	6"	14	7 1/2"	13 3/8"	1 1/2"	6"	3"	16	3"	13 9/32"	15"	1 1/4"
MTY-6035	6" x 3 1/2"	6"	14	8 3/4"	15 3/8"	1 1/2"	6"	3 1/2"	16	3 1/2"	14 19/32"	17"	1 1/4"
MTY-6040	6" x 4"	6"	14	10"	16 7/8"	1 1/2"	6"	4"	16	4"	15 29/32"	17"	1 1/4"
MTY-6050	6" x 5"	6"	14	12 1/2"	19 7/8"	1 1/2"	6"	5"	14	5"	19 1/8"	21"	1 1/2"
MTY-6060	6"	6"	14	15"	22 7/8"	1 1/2"	6"	6"	14	6"	22 11/32"	21"	1 1/2"

**WHEN ORDERING, SPECIFY TYPE OF MATERIAL:**

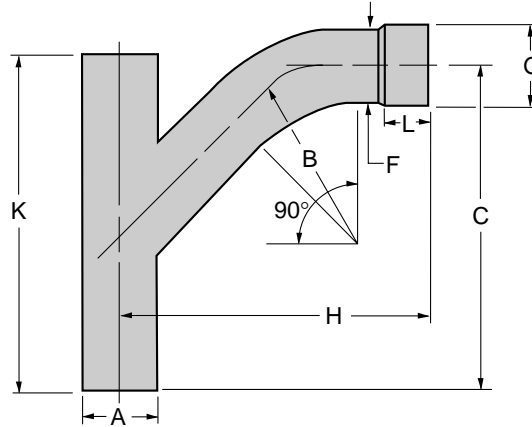
Carbon Steel, Zinc Galv. Coated Steel, Stainless Steel, Aluminum

**Bell or Straight Ends** – 2 1/8" through 6". **Straight ends only** – 8" and up.

All dimensions are nominal.



## Standard 90° TY's *continued*



Part No.	Size	A-o.d.	Gauge	B	C	F-o.d.	Gauge	G-i.d.	H	K	L
MTY-8021	8" x 2 1/8"	8"	14	5"	12 3/32"	2 1/8"	16	2 1/8"	11 3/4"	18"	1 1/4"
MTY-8025	8" x 2 1/2"	8"	14	6"	13 1/4"	2 1/2"	16	2 1/2"	12 25/32"	18"	1 1/4"
MTY-8030	8" x 3"	8"	14	7 1/2"	14 7/8"	3"	16	3"	14 9/32"	18"	1 1/4"
MTY-8035	8" x 3 1/2"	8"	14	8 3/4"	16 3/8"	3 1/2"	16	3 1/2"	15 19/32"	21"	1 1/4"
MTY-8040	8" x 4"	8"	14	10"	17 7/8"	4"	16	4"	16 29/32"	21"	1 1/4"
MTY-8050	8" x 5"	8"	14	12 1/2"	20 7/8"	5"	14	5"	20 1/8"	24"	1 1/2"
MTY-8060	8" x 6"	8"	14	15"	23 7/8"	6"	14	6"	23 11/32"	24"	1 1/2"
MTY-8080	8"	8"	14	20"	29 7/8"	8"	14	—	29 17/32"	29"	—

MTY-9021	10" x 2 1/8"	10"	†	5"	13 3/32"	2 1/8"	16	2 1/8"	12 3/4"	21"	1 1/4"
MTY-9025	10" x 2 1/2"	10"	†	6"	14 1/4"	2 1/2"	16	2 1/2"	13 25/32"	21"	1 1/4"
MTY-9030	10" x 3"	10"	†	7 1/2"	15 7/8"	3"	16	3"	15 9/32"	21"	1 1/4"
MTY-9035	10" x 3 1/2"	10"	†	8 3/4"	17 3/8"	3 1/2"	16	3 1/2"	16 19/32"	24"	1 1/4"
MTY-9040	10" x 4"	10"	†	10"	18 7/8"	4"	16	4"	17 29/32"	24"	1 1/4"
MTY-9050	10" x 5"	10"	†	12 1/2"	21 7/8"	5"	14	5"	21 1/8"	24"	1 1/2"
MTY-9060	10" x 6"	10"	†	15"	24 7/8"	6"	14	6"	24 11/32"	28"	1 1/2"
MTY-9080	10" x 8"	10"	†	20"	30 7/8"	8"	14	—	30 17/32"	32"	—
MTY-9090	10"	10"	†	32"	40 3/8"	10"	12	—	42 25/32"	36"	—

MTY-9221	12" x 2 1/8"	12"	†	5"	14 3/32"	2 1/8"	16	2 1/8"	13 3/4"	24"	1 1/4"
MTY-9225	12" x 2 1/2"	12"	†	6"	15 1/4"	2 1/2"	16	2 1/2"	14 25/32"	24"	1 1/4"
MTY-9230	12" x 3"	12"	†	7 1/2"	16 7/8"	3"	16	3"	16 9/32"	24"	1 1/4"
MTY-9235	12" x 3 1/2"	12"	†	8 3/4"	18 3/8"	3 1/2"	16	3 1/2"	17 19/32"	27"	1 1/4"
MTY-9240	12" x 4"	12"	†	10"	19 7/8"	4"	16	4"	18 29/32"	27"	1 1/4"
MTY-9250	12" x 5"	12"	†	12 1/2"	22 7/8"	5"	14	5"	22 1/8"	27"	1 1/2"
MTY-9260	12" x 6"	12"	†	15"	25 7/8"	6"	14	6"	25 11/32"	31"	1 1/2"
MTY-9280	12" x 8"	12"	†	20"	31 7/8"	8"	14	—	31 17/32"	35"	—
MTY-9290	12" x 10"	12"	†	32"	41 3/8"	10"	12	—	43 25/32"	39"	—
MTY-9292	12"	12"	†	36**	46 7/8"	12"	12	—	49 1/8"	43"	—

### WHEN ORDERING, SPECIFY TYPE OF MATERIAL:

Carbon Steel, Zinc Galv. Coated Steel, Stainless Steel, Aluminum

**Bell or Straight Ends** – 2 1/8" through 6". **Straight ends only** – 8" and up.

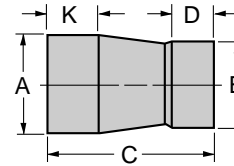
\* Segmented (3-piece miter)

† Consult factory

All dimensions are nominal.

## Reducing Couplings

Part No.	Size	A-o.d.	Gauge	C	D	E-i.d.	Gauge	K
MRC-2521	2 1/2" x 2 1/8"	2 1/2"	16	4 1/2"	1 1/4"	2 1/8"	16	1 1/2"
MRC-3021	3" x 2 1/8"	3"	16	8 3/4"	1 1/4"	2 1/8"	16	2"
MRC-3025	3" x 2 1/2"	3"	16	5"	1 1/4"	2 1/2"	16	1 1/2"
MRC-3521	3 1/2" x 2 1/8"	3 1/2"	16	11"	1 1/4"	2 1/8"	16	2"
MRC-3525	3 1/2" x 2 1/2"	3 1/2"	16	9 1/4"	1 1/4"	2 1/2"	16	2 7/8"
MRC-3530	3 1/2" x 3"	3 1/2"	16	5 1/2"	1 1/4"	3"	16	1 1/2"
MRC-4021	4" x 2 1/8"	4"	16	13 1/2"	1 1/4"	2 1/8"	16	2"
MRC-4025	4" x 2 1/2"	4"	16	11 3/4"	1 1/4"	2 1/2"	16	2"
MRC-4030	4" x 3"	4"	16	9 1/4"	1 1/4"	3"	16	2"
MRC-4035	4" x 3 1/2"	4"	16	6"	1 1/4"	3 1/2"	16	1 1/2"
MRC-5021	5" x 2 1/8"	5"	14	19 1/4"	1 1/4"	2 1/8"	16	2 3/4"
MRC-5025	5" x 2 1/2"	5"	14	17 1/2"	1 1/4"	2 1/2"	16	2 3/4"
MRC-5030	5" x 3"	5"	14	15"	1 1/4"	3"	16	2 3/4"
MRC-5035	5" x 3 1/2"	5"	14	12 1/2"	1 1/4"	3 1/2"	16	2 3/4"
MRC-5040	5" x 4"	5"	14	8"	1 1/4"	4"	16	1 3/4"
MRC-6021	6" x 2 1/8"	6"	14	24 3/4"	1 1/4"	2 1/8"	16	3 1/4"
MRC-6025	6" x 2 1/2"	6"	14	23"	1 1/4"	2 1/2"	16	3 1/4"
MRC-6030	6" x 3"	6"	14	20 1/2"	1 1/4"	3"	16	3 1/4"
MRC-6035	6" x 3 1/2"	6"	14	18"	1 1/4"	3 1/2"	16	3 1/4"
MRC-6040	6" x 4"	6"	14	15 3/4"	1 1/4"	4"	16	3 1/4"
MRC-6050	6" x 5"	6"	14	9"	1 1/2"	5"	14	1 3/4"
MRC-8040	8" x 4"	8"	14	26 1/4"	1 1/4"	4"	16	4 1/4"
MRC-8050	8" x 5"	8"	14	21 7/8"	1 1/2"	5"	14	4 1/4"
MRC-8060	8" x 6"	8"	14	17 1/2"	1 1/2"	6"	14	4 1/4"
MRC-9050	10" x 5"	10"	†	32 7/8"	1 1/2"	5"	14	5 1/4"
MRC-9060	10" x 6"	10"	†	28 1/2"	1 1/2"	6"	14	5 1/4"
MRC-9080	10" x 8"	10"	†	18 1/4"	2 1/2"	8" (O.D.)	14	5 1/4"
MRC-9280	12" x 8"	12"	†	29 1/4"	2 1/2"	8" (O.D.)	14	6 1/4"
MRC-9290	12" x 10"	12"	†	19 3/4"	3"	10" (O.D.)	12	6 1/4"



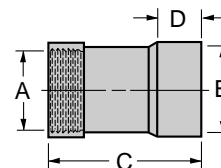
**WHEN ORDERING, SPECIFY TYPE OF MATERIAL:**  
Carbon Steel, Zinc Galv. Coated Steel, Stainless Steel, Aluminum  
Expanded E dimension is standard through 6" size.  
Straight Ends available on request for all sizes.

Expanded E and A dimensions available on request through 6" size.  
† Consult factory

## Female Reducing Adapter Expanded

Part No.	Size	A-F.I.P.S.	C	D	E-i.d.	Gauge
MRE-2025	2" to 2 1/2"	2"	4 1/4"	1 1/4"	2 1/2"	16

**WHEN ORDERING, SPECIFY TYPE OF MATERIAL:**  
Carbon Steel, Zinc Galv. Coated Steel, Stainless Steel, Aluminum



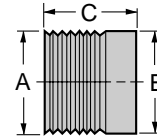
All dimensions are nominal.



## Male Adapter Nipple

Part No.	Size	A-M.I.P.S.	C	E-i.d.
MAN-2021	2 1/8"	2"	2"	2 1/8"

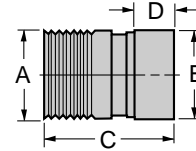
WHEN ORDERING, SPECIFY TYPE OF MATERIAL: Carbon Steel, Zinc Galv. Coated Steel, Stainless Steel, Aluminum



## Male Adapter Expanded

Part No.	Size	A-M.I.P.S.	C	D	E-i.d.	Gauge
MME-2021	2" to 2 1/8"	2"	4"	1 1/4"	2 1/8"	16
MME-2525	2 1/2" to 2 1/2"	2 1/2"	4"	1 1/4"	2 1/2"	16
MME-3030	3" to 3"	3"	4 3/4"	1 1/4"	3"	16
MME-3535	3 1/2" to 3 1/2"	3 1/2"	4 3/4"	1 1/4"	3 1/2"	16
MME-4040	4" to 4"	4"	4 3/4"	1 1/4"	4"	16
MME-5050	5" to 5"	5"	5"	1 1/2"	5"	14
MME-6060	6" to 6"	6"	5 1/4"	1 1/2"	6"	14

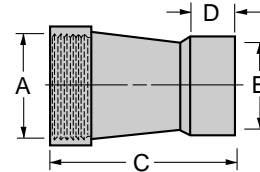
WHEN ORDERING, SPECIFY TYPE OF MATERIAL: Carbon Steel, Zinc Galv. Coated Steel, Stainless Steel, Aluminum



## Female Adapter Expanded

Part No.	Size	A-F.I.P.S.	C	D	E-i.d.	Gauge
MFE-2021	2" to 2 1/8"	2"	4"	1 1/4"	2 1/8"	16
MFE-2525	2 1/2" to 2 1/2"	2 1/2"	5"	1 1/4"	2 1/2"	16
MFE-3030	3" to 3"	3"	5 1/4"	1 1/4"	3"	16
MFE-3535	3 1/2" to 3 1/2"	3 1/2"	5 1/2"	1 1/4"	3 1/2"	16
MFE-4040	4" to 4"	4"	6 1/2"	1 1/4"	4"	16
MFE-5050	5" to 5"	5"	6 3/4"	1 1/2"	5"	14
MFE-6060	6" to 6"	6"	7"	1 1/2"	6"	14

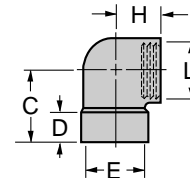
WHEN ORDERING, SPECIFY TYPE OF MATERIAL: Carbon Steel, Zinc Galv. Coated Steel, Stainless Steel, Aluminum



## 90° Adapter Elbow

Part No.	Size	C	D	E-i.d.	H	L-F.I.P.S.
MAL-2120	2 1/8" to 2"	2 9/16"	1 1/16"	2 1/8"	1 5/8"	2"

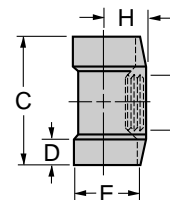
WHEN ORDERING, SPECIFY TYPE OF MATERIAL: Cast Gray Iron or Zinc Coated or Nickel Plated



## Adapter Tee

Part No.	Size	C	D	E-i.d.	H	L-F.I.P.S.
MAT-2120	2 1/8" to 2" *	4 13/16"	1 1/16"	2 1/8"	1 9/16"	2"
MAT-2520	2 1/2" to 2"	6 1/2"	1 1/4"	2 1/2"	2 1/8"	2"
MAT-3020	3" to 2"	6 1/2"	1 1/4"	3"	2 3/4"	2"
MAT-3520	3 1/2" to 2"	6 7/8"	1 1/4"	3 1/2"	3 7/16"	2"
MAT-4020	4" to 2"	6 7/8"	1 1/4"	4"	3 7/16"	2"

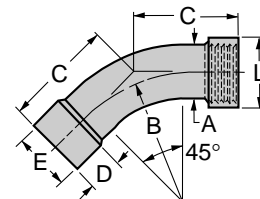
WHEN ORDERING, SPECIFY TYPE OF MATERIAL: \* Cast Gray Iron or Zinc Coated or Nickel Plated. Also available in Cast Aluminum. Other sizes: Carbon Steel, Stainless Steel, Aluminum



## 45° Elbow Female Adapter

Part No.	Size	A-o.d.	Gauge	B	C	D	E-i.d.	L-F.I.P.S.
MEF-2120	2 1/8" to 2"	2 1/8"	16	5"	4 1/16"	1 1/4"	2 1/8"	2"
MEF-2520	2 1/2" to 2"	2 1/2"	16	6"	4 1/2"	1 1/4"	2 1/2"	2"
MEF-2525	2 1/2" to 2 1/2"	2 1/2"	16	6"	4 1/2"	1 1/4"	2 1/2"	2 1/2"

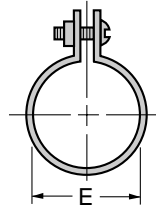
WHEN ORDERING, SPECIFY TYPE OF MATERIAL: Carbon Steel, Zinc Galv. Coated Steel, Stainless Steel, Aluminum



All dimensions are nominal.

## Band Hangers

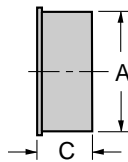
Part No.	Size	E-i.d.	Gauge
MBH-2100	2 1/8"	2 1/8"	16
MBH-2500	2 1/2"	2 1/2"	16
MBH-3000	3"	3"	16
MBH-3500	3 1/2"	3 1/2"	16
MBH-4000	4"	4"	16
MBH-5000	5"	5"	16
MBH-6000	6"	6"	16
MBH-8000	8"	8"	16
MBH-9000	10"	10"	16
MBH-9200	12"	12"	16



**TYPE OF MATERIAL:**  
Zinc Galv. Coated Steel

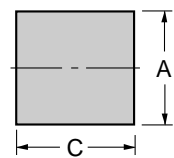
## Tube Plugs

Part No.	Size	A-o.d.	Gauge	C
MTP-2100	2 1/8"	2 1/8"	16	1"
MTP-2500	2 1/2"	2 1/2"	16	1"
MTP-3000	3"	3"	16	1"
MTP-3500	3 1/2"	3 1/2"	16	1 3/8"
MTP-4000	4"	4"	16	1 3/8"
MTP-5000	5"	5"	14	1 5/8"
MTP-6000	6"	6"	14	1 5/8"
MTP-8000	8"	8" I.D.	14	1 3/4"
MTP-9000	10"	10" I.D.	†	2"
MTP-9200	12"	12" I.D.	†	2"



## Tube Nipples

Part No.	Size	A-o.d.	Gauge	C
MTN-2100	2 1/8"	2 1/8"	16	2 1/2"
MTN-2500	2 1/2"	2 1/2"	16	2 1/2"
MTN-3000	3"	3"	16	2 1/2"
MTN-3500	3 1/2"	3 1/2"	16	2 1/2"
MTN-4000	4"	4"	16	2 1/2"
MTN-5000	5"	5"	14	3"
MTN-6000	6"	6"	14	3"
MTN-8000	8"	8"	14	4"
MTN-9000	10"	10"	†	5"
MTN-9200	12"	12"	†	6"



**WHEN ORDERING, SPECIFY TYPE OF MATERIAL:**  
Carbon Steel, Zinc Galv. Coated Steel, Stainless Steel, Aluminum

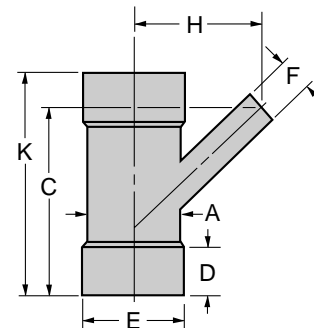
Must be used with Belled Ends. † Consult factory

† Consult factory

## 45° Utility Y's Bell Ends (see illustration) also available with straight end. "F" dimension, Straight End only.

Part No.	Size	A-o.d.	Gauge	C	D	E-i.d.	F-o.d.	Gauge	H	K
MUY-2178	2 1/8" x 7/8"	2 1/8"	16	5 1/8"	1 1/4"	2 1/8"	7/8"	18	3 5/32"	6"
MUY-2578	2 1/2" x 7/8"	2 1/2"	16	5 1/8"	1 1/4"	2 1/2"	7/8"	18	3 3/8"	6"
MUY-3078	3" x 7/8"	3"	16	5 1/8"	1 1/4"	3"	7/8"	18	3 5/8"	6"
MUY-3578	3 1/2" x 7/8"	3 1/2"	16	5 1/8"	1 1/4"	3 1/2"	7/8"	18	3 7/8"	6"
MUY-4078	4" x 7/8"	4"	16	5 1/8"	1 1/4"	4"	7/8"	18	4 1/8"	6"

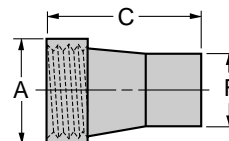
**WHEN ORDERING, SPECIFY TYPE OF MATERIAL:** Carbon Steel, Zinc Galv. Coated Steel, Stainless Steel, Aluminum



## Female Adapter

Part No.	Size	A-F.I.P.S.	C	F-o.d.	Gauge
MFA-2021	2" to 2 1/8"	2"	4"	2 1/8"	16
MFA-2525	2 1/2" to 2 1/2"	2 1/2"	5"	2 1/2"	16
MFA-3030	3" to 3"	3"	5 1/4"	3"	16
MFA-3535	3 1/2" to 3 1/2"	3 1/2"	5 1/2"	3 1/2"	16
MFA-4040	4" to 4"	4"	6 1/2"	4"	16
MFA-5050	5" to 5"	5"	6 3/4"	5"	14
MFA-6060	6" to 6"	6"	7"	6"	14
MFA-8080	8" to 8"	8"	9"	8"	14
MFA-9090	10" to 10"	10"	11"	10"	†
MFA-9292	12" to 12"	12"	13"	12"	†

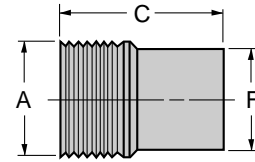
**WHEN ORDERING, SPECIFY TYPE OF MATERIAL:** Carbon Steel, Zinc Galv. Coated Steel, Stainless Steel, Aluminum  
† Consult factory



All dimensions are nominal.

## Male Adapter

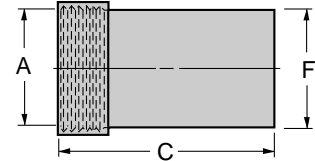
Part No.	Size	A-M.I.P.S.	C	F-o.d.	Gauge
MMA-2021	2" to 2 1/8"	2"	4"	2 1/8"	16
MMA-2525	2 1/2" to 2 1/2"	2 1/2"	4"	2 1/2"	16
MMA-3030	3" to 3"	3"	4 3/4"	3"	16
MMA-3535	3 1/2" to 3 1/2"	3 1/2"	4 3/4"	3 1/2"	16
MMA-4040	4" to 4"	4"	4 3/4"	4"	16
MMA-5050	5" to 5"	5"	5"	5"	14
MMA-6060	6" to 6"	6"	5 1/4"	6"	14
MMA-8080	8" to 8"	8"	5 3/4"	8"	14
MMA-9090	10" to 10"	†	6 1/4"	10"	12
MMA-9292	12" to 12"	†	6 1/2"	12"	10



WHEN ORDERING, SPECIFY TYPE OF MATERIAL: Carbon Steel, Zinc Galv. Coated Steel, Stainless Steel, Aluminum  
 † Consult factory

## Female Reducing Adapter

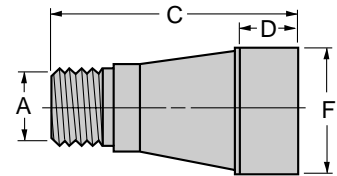
Part No.	Size	A-F.I.P.S.	C	F-o.d.	Gauge
MFR-2025	2" to 2 1/2"	2"	4 1/4"	2 1/2"	16



WHEN ORDERING, SPECIFY TYPE OF MATERIAL: Carbon Steel, Zinc Galv. Coated Steel, Stainless Steel, Aluminum

## Male Reducing Adapter

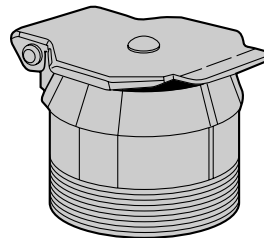
Part No.	Size	A-M.I.P.S.	C	D	F-i.d.	Gauge
MMR-2112	2 1/8" to 1 1/4"	1 1/4"	5 3/4"	1 1/4"	2 1/8"	16
MMR-2115	2 1/8" to 1 1/2"	1 1/2"	5 3/4"	1 1/4"	2 1/8"	16



WHEN ORDERING, SPECIFY TYPE OF MATERIAL: Carbon Steel, Zinc Galv. Coated Steel, Stainless Steel, Aluminum  
 Bell or Straight Ends (F-o.d.= 2 1/8")

## Inlet Valves

Inlet Valve Part No.	Size	Wrench Part No.	Escutcheon Plate No.
MIV-2015	1 1/2"	MIW-2015	MIX-2000
MIV-2018	1.8"	MIW-2020	
MIV-2020	2"		



Threaded End is 2" M.I.P.S.  
 Aluminum Body Casting - Galv. Steel Lid

## Hose Adapters

Part No.	Fits Inlet Valve Part No.	Hose I.D.
MHA-2015	MIV-2020	1 1/2"
MHA-2018	MIV-2020	1.8"
MHA-2020	MIV-2020	2"
MHA-1815	MIV-2018	1 1/2"
MHA-1818	MIV-2018	1.8"
MHA-1515	MIV-2015	1 1/2"

Zinc Galv. Coated Steel

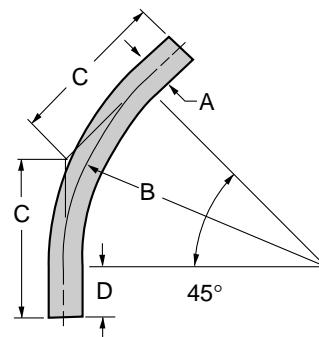
All dimensions are nominal.

## Long-Radius Bends

45° On 30" Center Line – straight ends only in stock\*

Part No.	Size	A–o.d.	Gauge	B	C	D
M30-3045	3"	3"	16	30"	18 <sup>7</sup> / <sub>16</sub> "	6"
M30-3535	3 <sup>1</sup> / <sub>2</sub> "	3 <sup>1</sup> / <sub>2</sub> "	16	30"	19 <sup>7</sup> / <sub>16</sub> "	7"
M30-4045	4"	4"	16	30"	20 <sup>7</sup> / <sub>16</sub> "	8"
M30-5045	5"	5"	14	30"	22 <sup>7</sup> / <sub>16</sub> "	10"
M30-6045	6"	6"	14	30"	24 <sup>7</sup> / <sub>16</sub> "	12"

WHEN ORDERING, SPECIFY TYPE OF MATERIAL: Carbon Steel, Zinc Galv. Coated Steel, Stainless Steel, Aluminum

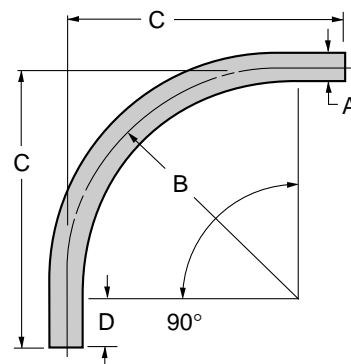


## Long-Radius Bends

90° On 30" Center Line – straight ends only in stock\*

Part No.	Size	A–o.d.	Gauge	B	C	D
M30-3090	3"	3"	16	30"	36"	6"
M30-3590	3 <sup>1</sup> / <sub>2</sub> "	3 <sup>1</sup> / <sub>2</sub> "	16	30"	37"	7"
M30-4090	4"	4"	16	30"	38"	8"
M30-5090	5"	5"	14	30"	40"	10"
M30-6090	6"	6"	14	30"	42"	12"

WHEN ORDERING, SPECIFY TYPE OF MATERIAL: Carbon Steel, Zinc Galv. Coated Steel, Stainless Steel, Aluminum

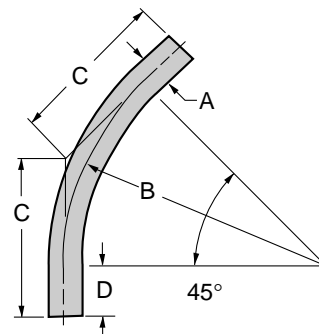


## Long-Radius Bends

45° On 36" Center Line – straight ends only in stock\*

Part No.	Size	A–o.d.	Gauge	B	C	D
M36-2145	2 <sup>1</sup> / <sub>8</sub> "	2 <sup>1</sup> / <sub>8</sub> "	16	36"	20 <sup>29</sup> / <sub>32</sub> "	6"
M36-2545	2 <sup>1</sup> / <sub>2</sub> "	2 <sup>1</sup> / <sub>2</sub> "	16	36"	19 <sup>29</sup> / <sub>32</sub> "	5"

WHEN ORDERING, SPECIFY TYPE OF MATERIAL: Carbon Steel, Zinc Galv. Coated Steel, Stainless Steel, Aluminum



\* Bell Ends through 6" available on request.

Many other sizes, center-line radii, and degrees of long-radius bends also available.

For different gauge material, consult customer service.

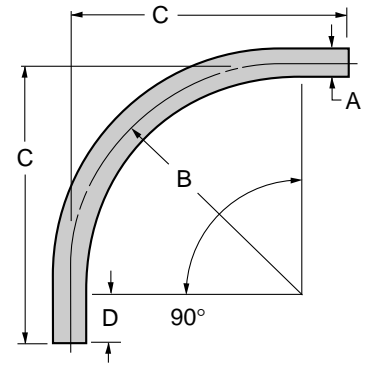
All dimensions are nominal.

## Long-Radius Bends

90° On 36" Center Line – straight ends only in stock\*

Part No.	Size	A–o.d.	Gauge	B	C	D
M36-2190	2 1/8"	2 1/8"	16	36"	42"	6"
M36-2590	2 1/2"	2 1/2"	16	36"	41"	5"

WHEN ORDERING, SPECIFY TYPE OF MATERIAL: Carbon Steel, Zinc Galv. Coated Steel, Stainless Steel, Aluminum

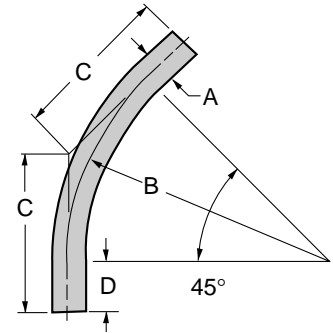


## Long-Radius Bends

45° On 48" Center Line – straight ends only in stock\*

Part No.	Size	A–o.d.	Gauge	B	C	D
M48-3045	3"	3"	16	48"	25 7/8"	6"
M48-3535	3 1/2"	3 1/2"	16	48"	26 7/8"	7"
M48-4045	4"	4"	16	48"	27 7/8"	8"
M48-5045	5"	5"	14	48"	29 7/8"	10"
M48-6045	6"	6"	14	48"	31 7/8"	12"
M48-8045	8"	8"	11	48"	35 7/8"	16"

WHEN ORDERING, SPECIFY TYPE OF MATERIAL: Carbon Steel, Zinc Galv. Coated Steel, Stainless Steel, Aluminum

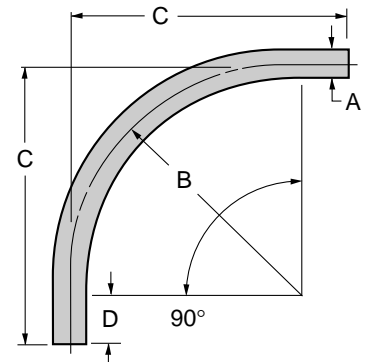


## Long-Radius Bends

90° On 48" Center Line – straight ends only in stock\*

Part No.	Size	A–o.d.	Gauge	B	C	D
M48-3090	3"	3"	16	48"	54"	6"
M48-3590	3 1/2"	3 1/2"	16	48"	55"	7"
M48-4090	4"	4"	16	48"	56"	8"
M48-5090	5"	5"	14	48"	58"	10"
M48-6090	6"	6"	14	48"	60"	12"
M48-8090	8"	8"	11	48"	64"	16"

WHEN ORDERING, SPECIFY TYPE OF MATERIAL: Carbon Steel, Zinc Galv. Coated Steel, Stainless Steel, Aluminum



\* Bell Ends through 6" available on request.

Many other sizes, center-line radii, and degrees of long-radius bends also available.

For different gauge material, consult customer service.

All dimensions are nominal.

## Compression Couplings

Tubing O.D.	Morris Coupling Code No.	No. Bolts	Coupling Length
2 1/8"	2 1/8 - 2C OD	2	4"
2 1/8"	2 1/8 - 3C OD	3	6"
2 1/2"	2 1/2 - 2C OD	2	4"
2 1/2"	2 1/2 - 3C OD	3	6"

3"	3 - 2C OD	2	4"
3"	3 - 3C OD	3	6"
3"	3 - 4C OD	4	8"
3 1/2"	3 - 2C	2	4"
3 1/2"	3 - 3C	3	6"
3 1/2"	3 - 4C	4	8"

4"	3 1/2 - 2C	2	4"
4"	3 1/2 - 3C	3	6"
4"	3 1/2 - 4C	4	8"

5"	4 1/2 - 2C	2	4"
5"	4 1/2 - 3C	3	6"
5"	4 1/2 - 4C	4	8"

6"	6 - 2C OD	2	4"
6"	6 - 3C OD	3	6"
6"	6 - 4C OD	4	8"
6"	6 - 5C OD	5	10"

8"	8 - 2C OD	2	6"
8"	8 - 3C OD	3	8"
8"	8 - 4C OD	4	10"
8"	8 - 5C OD	5	12"

10"	10 - 3C OD	3	8"
10"	10 - 4C OD	4	10"
10"	10 - 5C OD	5	12"

12"	12 - 3C OD	3	8"
12"	12 - 4C OD	4	10"
12"	12 - 5C OD	5	12"

Morris Compression Couplings provide a sure, tight coupling with equalized compression. Simply slide coupling over joint and tighten. The exclusive Morris outer-shell and bar-washer design creates an equalized pressure seal.

Morris Compression Couplings are provided with a black neoprene gasket and grounding strip. Red or white gaskets and many other sizes are available.

### Nuts and Bolts

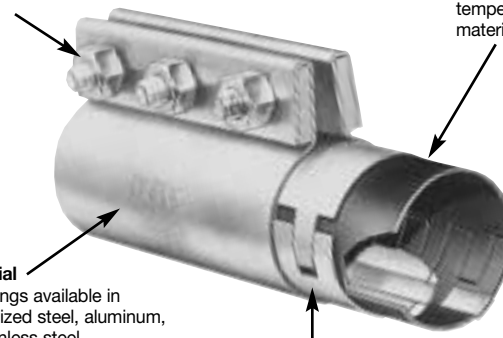
Coupling comes ready to slip on with electroplated nuts and bolts in place – ready to be tightened with a single-socket wrench.

### Gasket

Die-cut tooth design assures low- or high-pressure seal for both gaseous and liquid materials. Black neoprene is standard gasket, but rubber, white neoprene, high temperature and other gasket materials are available.

### Material

Couplings available in galvanized steel, aluminum, or stainless steel.

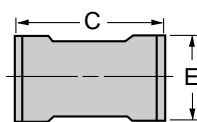


### Inner Sleeve

Precision die-cut teeth help apply equal pressure to the entire pipe circumference to attain positive seal plus extra rigidity.

## Slip Couplings

Part No.	Size	C	E-i.d.	Gauge
MSC-2100	2 1/8"	3"	2 1/8"	16
MSC-2500	2 1/2"	3 1/2"	2 1/2"	16
MSC-3000	3"	4"	3"	16
MSC-3500	3 1/2"	4 1/2"	3 1/2"	16
MSC-4000	4"	5"	4"	16
MSC-5000	5"	6"	5"	14
MSC-6000	6"	7"	6"	14
MSC-8000	8"	8"	8"	14
MSC-9000	10"	10"	10"	†
MSC-9200	12"	12"	12"	†



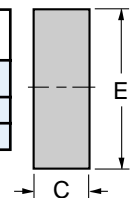
For joining two straight ends. Can be welded, brazed, glued or covered with shrink sleeves.

## Slip Welding Rings

Part No.	Size	C	E-i.d.	Gauge
MWR-8000	8"	3"	8"	14
MWR-9000	10"	3"	10"	†
MWR-9200	12"	3"	12"	†

WHEN ORDERING, SPECIFY TYPE OF MATERIAL: Carbon Steel, Zinc Galv. Coated Steel, Stainless Steel, Aluminum

† Consult factory



All dimensions are nominal.

## Quickon II Couplers

Tubing O.D.	Morris Coupler	No. Handles	Coupler Length
2 1/8"	2121	1	4"
2 1/2"	2501	1	4"

3"	3001	1	4"
3 1/2"	3501	1	4"

4"	4001	1	4"
4"	2-4001	2	9 1/2"

5"	5001	1	4"
5"	2-5001	2	9 1/2"

6"	6001	1	4"
6"	2-6001	2	9 1/2"

8"	8001	1	4"
8"	2-8001	2	9 1/2"

10"	10001	1	4"
10"	2-10001	2	9 1/2"

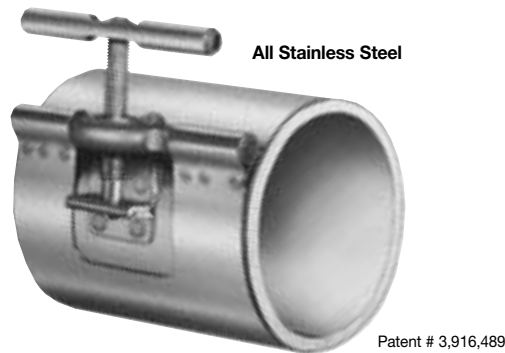
12"	2-12001	2	9 1/2"
-----	---------	---	--------

Provided with rubber gaskets and grounding strips.

## OPEN/CLOSE without tools...in seconds

Morris Quickon II Couplers can be installed or removed with a twist of the wrist. No tools or special skills needed. The positive locking system turns easily to seal or to compensate for normal O.D. tubing tolerances.

This in-line coupler is ideal for use where fast takedown and reassembly of lines are essential, reduced coupler weight is desirable, or a system is frequently modified.



## Shrink Sleeves

Part No.	Tubing O.D.
MSS-2100	2 1/8"
MSS-2500	2 1/2"
MSS-3000	3"
MSS-3500	3 1/2"
MSS-4000	4"
MSS-5000	5"
MSS-6000	6"

Shrink sleeves are film bands that are heat shrinkable. Can be used with slip couplings (two required per slip coupling) or bell ends.

All dimensions are nominal.

Morris Coupling Company has been serving the pneumatic bulk-conveying industry for over 60 years with a complete line of precision quality coupling and tubing products. We provide single-source capability for all your component needs backed by on-time delivery to keep your project on schedule.

Distributed By: **plastixs**<sup>®</sup>  
manufacturing solutions

151 Memorial Drive, Suite H  
Shrewsbury, MA 01545

888-792-2223

[www.plastixs.com](http://www.plastixs.com)

[sales@plastixs.com](mailto:sales@plastixs.com)



©2003 Morris Coupling Company  
Printed in U.S.A.