

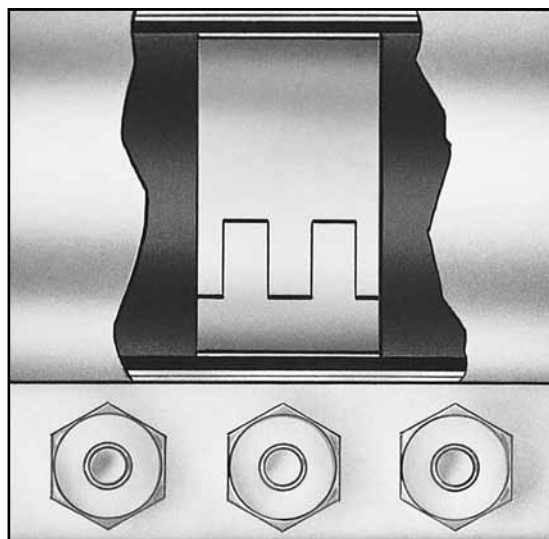
# Compression Couplings with Stainless-Steel Gasket Protectors

**You can eliminate costly downtime and replacement of coupling gaskets in your vacuum conveying system.**

Morris Gasket Protectors provide positive gasket protection against abrasion or corrosion with no adverse effect on Coupling capabilities. They prevent gasket wear which occurs when pipe or tubing ends do not butt completely. This gap is often unavoidable and always undetectable. In vacuum systems, gaskets without Protectors can be drawn into the line enough to cause excessive wear and eventual system leaks. This may result in undesirable contamination of the materials being handled.

Morris Couplings with Gasket Protectors fully eliminate these costly hazards to the effective and economical operation of vacuum conveying systems.

- Are factory assembled – no loose parts.
- Automatically compensate for field installation variations causing exposure of gaskets – prevent pinched gaskets at butt connections.
- Gasket Protectors are of Type 430 stainless steel with interlocking teeth – excellent for protection against abrasion and corrosion.
- For special corrosive applications, specify Teflon Gasket Protectors\*.



Gasket Protectors are for use with Morris Compression Couplings only and are **not recommended for couplings less than 6" long**.

Tubing or Nominal Pipe Size (IPS)	Tubing Pipe (A)	Morris Coupling Code	Coupling Length (B)	Number of Bolts	Size of Bolts	Standard Black Neoprene Gasket	Food Grade White Neoprene Gasket
						PIC No.	PIC No.
1-1/2" Tubing	1.500	1-1/2-3C-OD	6"	3	1/2 x 1-3/4	0101503B4FG	0101503W4
1-1/2" Pipe	1.900	1-1/2-3C	6"	3	1/2 x 1-3/4	0101903B4FG	0101903W4
1-3/4" Tubing	1.750	1-3/4-3C-OD	6"	3	1/2 x 1-3/4	0101753B4	0101753W4
2" Tubing	2.000	2-3C-OD	6"	3	1/2 x 1-3/4	0102003B4FG	0102003W4
2" Pipe	2.375	2-3C	6"	3	1/2 x 1-3/4	0102373B4FG	0102373W4
2-3/16" Tubing	2.187	2-3/16-3C-OD	6"	3	1/2 x 1-3/4	0102183B4FG	0102183W4
2-1/2" Tubing	2.500	2-1/2-3C-OD	6"	3	1/2 x 1-3/4	0102503B4FG	0102503W4
2-1/2" Pipe	2.875	2-1/2-3C	6"	3	1/2 x 1-3/4	0102873B4	0102873W4
3" Tubing	3.000	3-3C-OD	6"	3	5/8 x 2	0103003B4FG	0103003W4
	3.000	3-4C-OD	8"	4	5/8 x 2	0103004B4	0103004W4
3" Pipe	3.500	3-3C	6"	3	5/8 x 2	0103503B4FG	0103503W4
	3.500	3-4C	8"	4	5/8 x 2	0103504B4	0103504W4
3-1/2" Tubing	3.500	3-3C	6"	3	5/8 x 2	0103503B4FG	0103503W4
	3.500	3-4C	8"	4	5/8 x 2	0103504B4	0103504W4
3-1/2" Pipe	4.000	3-1/2-3C	6"	3	5/8 x 2	0104003B4FG	0104003W4
	4.000	3-1/2-4C	8"	4	5/8 x 2	0104004B4FG	0104004W4
4" Tubing	4.000	3-1/2-3C	6"	3	5/8 x 2	0104003B4FG	0104003W4
	4.000	3-1/2-4C	8"	4	5/8 x 2	0104004B4FG	0104004W4
4" Pipe	4.500	4-3C	6"	3	5/8 x 2	0104503B4FG	0104503W4
	4.500	4-4C	8"	4	5/8 x 2	0104504B4	0104504W4

# Compression Couplings with Stainless-Steel Gasket Protectors *continued*



Tubing or Nominal Pipe Size (IPS)	Tubing Pipe (A)	Morris Coupling Code	Coupling Length (B)	Number of Bolts	Size of Bolts	Standard Black Neoprene Gasket	Food Grade White Neoprene Gasket
						PIC No.	PIC No.
4-1/2" Tubing	4.500	4-3C	6"	3	5/8 x 2	0104503B4FG	0104503W4
	4.500	4-4C	8"	4	5/8 x 2	0104504B4	0104504W4
4-1/2" Pipe	5.000	4-1/2-3C	6"	3	5/8 x 2	0105003B4	0105003W4
	5.000	4-1/2-4C	8"	4	5/8 x 2	0105004B4	0105004W4
5" Tubing	5.000	4-1/2-3C	6"	3	5/8 x 2	0105003B4	0105003W4
	5.000	4-1/2-4C	8"	4	5/8 x 2	0105004B4	0105004W4
5" Pipe	5.563	5-3C	6"	3	5/8 x 2	0105563B4	0105563W4
	5.563	5-4C	8"	4	5/8 x 2	0105564B4	0105564W4
6" Tubing	6.000	6-3C-OD	6"	3	5/8 x 2	0106003B4	0106003W4
	6.000	6-4C-OD	8"	4	5/8 x 2	0106004B4	0106004W4
6" Pipe	6.625	6-3C	6"	3	5/8 x 2	0106623B4	0106623W4
	6.625	6-4C	8"	4	5/8 x 2	0106624B4	0106624W4
8" Tubing	8.000	8-3C-OD	8"	3	3/4 x 3	0108003B4	0108003W4
	8.000	8-4C-OD	10"	4	3/4 x 3	0108004B4	0108004W4
8" Pipe	8.625	8-3C	8"	3	3/4 x 3	0108623B4	0108623W4
	8.625	8-4C	10"	4	3/4 x 3	0108624B4	0108624W4
10" Tubing	10.000	10-3C-OD	8"	3	3/4 x 3	0110003B4	0110003W4
	10.000	10-4C-OD	10"	4	3/4 x 3	0110004B4	0110004W4
	10.000	10-5C-OD	12"	5	3/4 x 3	0110005B4	0110005W4
10" Pipe	10.750	10-3C	8"	3	3/4 x 3	0110753B4	0110753W4
	10.750	10-4C	10"	4	3/4 x 3	0110754B4	0110754W4
	10.750	10-5C	12"	5	3/4 x 3	0110755B4	0110755W4
12" Tubing	12.000	12-3C-OD	8"	3	3/4 x 3	0112003B4	0112003W4
	12.000	12-4C-OD	10"	4	3/4 x 3	0112004B4	0112004W4
	12.000	12-5C-OD	12"	5	3/4 x 3	0112005B4	0112005W4
12" Pipe	12.750	12-3C	8"	3	3/4 x 3	0112753B4	0112753W4
	12.750	12-4C	10"	4	3/4 x 3	0112754B4	0112754W4
	12.750	12-5C	12"	5	3/4 x 3	0112755B4	0112755W4