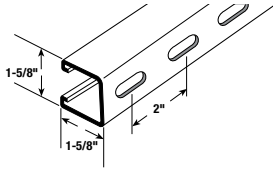
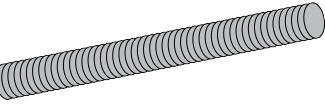
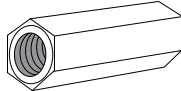
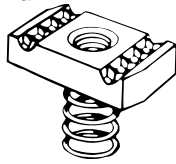

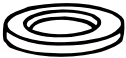

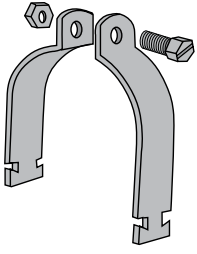
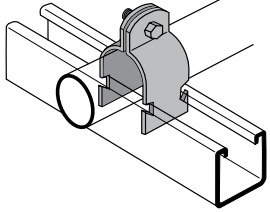
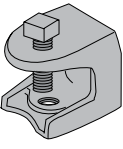


Installation Components

	Description	Part Number	Quantity
1-5/8" Channel 	<ul style="list-style-type: none"> • Slotted channel. • 9/16" x 1-1/8" slots on 2" center. • 12-gauge roll-formed strip • Available in 10' and 20' lengths. • Standard finish galvanized. 	61G158CHNL-10 10' length	1
		61G158CHNL-20 20' length	1
Threaded Rod 	<ul style="list-style-type: none"> • Electro galvanized. • Available in 3/8" and 1/2" diameter. • 6' and 12' lengths. 	61G38ROD06 3/8" rod; 6' length	1
		61G38ROD12 3/8" rod; 12' length	1
		61G12ROD06 1/2" rod; 6' length	1
		61G12ROD12 1/2" rod; 12' length	1

	Description	Part Number	Quantity Per Box
Rod Couplers 	<ul style="list-style-type: none"> • Couplers to accommodate 3/8" and 1/2" rod. 	61G38CPL 3/8" coupler	100
		61G12CPL 1/2" coupler	100
Spring Nut 	<ul style="list-style-type: none"> • 3/8" – 16 and 1/2" – 13 spring nuts 	61G38SPNUT 3/8" – 16 spring nut	100
		61G12SPNUT 1/2" – 13 spring nut	100
Hex Nut 	<ul style="list-style-type: none"> • 3/8" – 16 and 1/2" – 13 nuts 	61G38HXNUT 3/8" – 16 nut	100
		61G12HXNUT 1/2" – 13 nut	100
Flat Washer 	<ul style="list-style-type: none"> • 3/8" and 1/2" flat washers 	61G38FLWASH 3/8" flat washer	100
		61G12FLWASH 1/2" flat washer	100
Lock Washer 	<ul style="list-style-type: none"> • 3/8" and 1/2" lock washers 	61G38LKWASH 3/8" lock washer	100
		61G12LKWASH 1/2" lock washer	100

	Description	Part Number	Quantity Per Box
Pipe Clamp 	<ul style="list-style-type: none"> Galvanized. Slotted hex-head screw and nut included. 	61G23CLMP 2" pipe	50
		61G27CLMP 2-1/2" pipe	50
		61G35CLMP 3" pipe	50
		61G40CLMP 3-1/2" pipe	25
		61G45CLMP 4" pipe	25
		61G558CLMP 5" pipe	25
		61G658CLMP 6" pipe	25
		61G858CLMP 8" pipe	25
Tube Clamp 	<ul style="list-style-type: none"> Galvanized. Slotted hex-head screw and nut included. 	61G15CLMP 1-1/2" tube	100
		61G20CLMP 2" tube	50
		61G21CLMP 2-1/8" tube	50
		61G22CLMP 2-1/4" tube	50
		61G25CLMP 2-1/2" tube	50
		61G30CLMP 3" tube	50
		61G35CLMP 3-1/2" tube	50
		61G40CLMP 4" tube	25
		61G45CLMP 4-1/2" tube	25
		61G50CLMP 5" tube	25
		61G60CLMP 6" tube	25
		61G80CLMP 8" tube	25
Beam Clamp 	<ul style="list-style-type: none"> With set screw for 3/8" and 1/2" rod. Standard finish galvanized. 	61G20BMCLP 3/8" beam clamp	10
		61G25BMCLP 1/2" beam clamp	10

NOTES:

- All prices for channel and threaded rod are per piece. Standard finish galvanized.
- Clamps, coupler and hardware items are sold in box quantity only. Box quantities are indicated for each item. Standard finish electro galvanized.
- Installation components are non-returnable.
- Prices F.O.B. Knoxville, TN.