

# plastixs

A GLOBEUS Company

## Heavy Duty Mold Racks

- ✓ Maximizes use of storage space; vertically and between rows of racks
- ✓ Fully scale-able and height adjustable
- ✓ Reduces mold change over time
- ✓ Improved safety

Heavy-duty pull-out shelving systems are compact and optimally adapted to the inventory. Perfect for storing heavy injection molds and loading with lifting gear. The heavy-duty pull-out shelves are suitable for storing large, heavy molds. The pull-out shelves can handle 4,400lbs and the fixed top shelf can accommodate 6,600lbs.

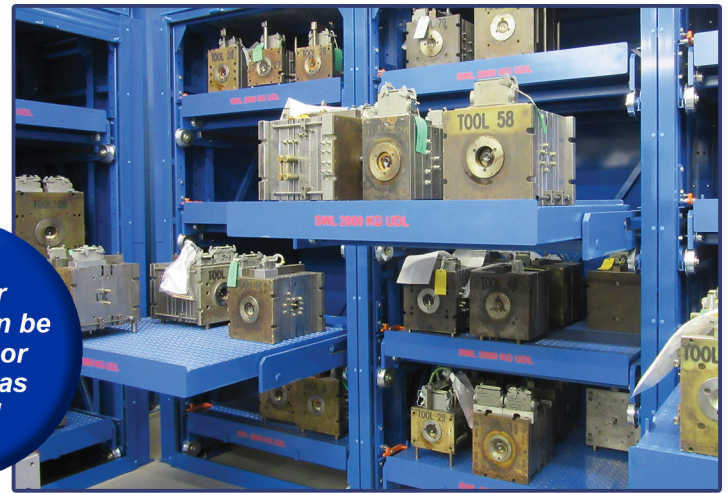
Pull-Out racking is easily handled by one person and is equipped with an automatic locking system for operational safety. Its modular design means that it can be added to or adjusted as required, and consists of a starter bay and extension bays.

Available products:

- 63% Pull-Out Shelves (4,400lbs)
- 100% Pull-Out Shelves (4,400lbs)
- Fixed Top Shelf (6,600lbs)
- Optional Electric Pull-Out Shelves with 6,500lbs Capacity
- Custom increased capacity racking available upon request



**RACKSTORAGE**  
SPECIALIST SUPPLIER OF STORAGE SOLUTIONS



*Modular systems can be added to or adjusted as needed*

*Heavy-duty pull out shelves for storing large components and units*



*Monorail and Hoist for a one-person operation*



SCAN TO LEARN MORE

[sales@plastixs.com](mailto:sales@plastixs.com)

(508) 842-1606

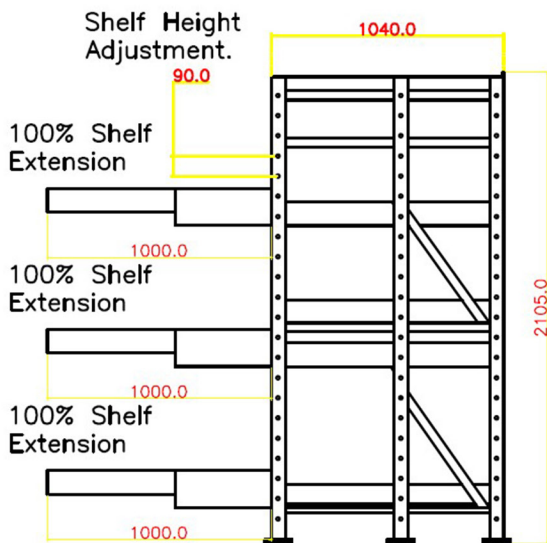
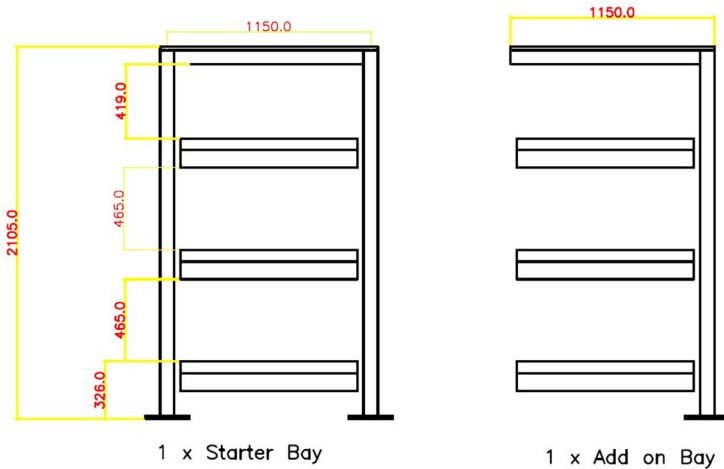


[www.plastixs.com](http://www.plastixs.com)

# plastixs

A GLOBEUS Company

## Schematic Diagram of Shelf Construction



Available compartment designs:

1. Compartments 63% extractable to one side
2. Compartments 63% extractable on both sides
3. Compartments 100% extractable to one side

[sales@plastixs.com](mailto:sales@plastixs.com)

(508) 842-1606



[www.plastixs.com](http://www.plastixs.com)